

# QUBIT



**COMPACT CENTRIFUGAL FANS**

# QUBIT



## COMPACT CENTRIFUGAL FANS



up to **110** m<sup>3</sup>/h



from **11** W



from **15** dBA

## FEATURES

Two speed version for continuous or periodic ventilation

IP 45 and intelligent humidity control

Designed for high-resistance ventilation duct systems.

Reliable motor with ball bearings

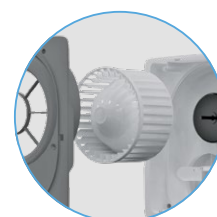
Wall and ceiling mounting



Stylish laconic design

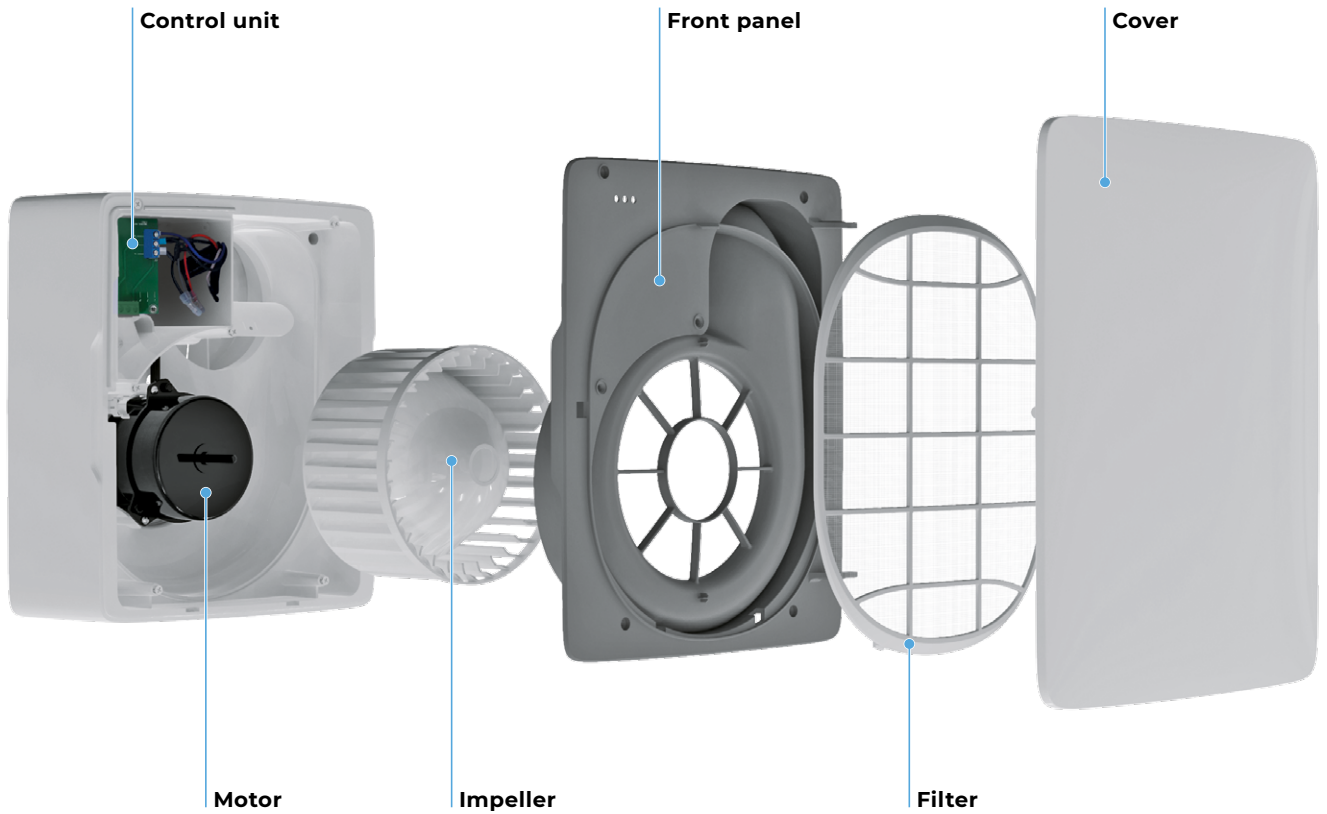


Compact case



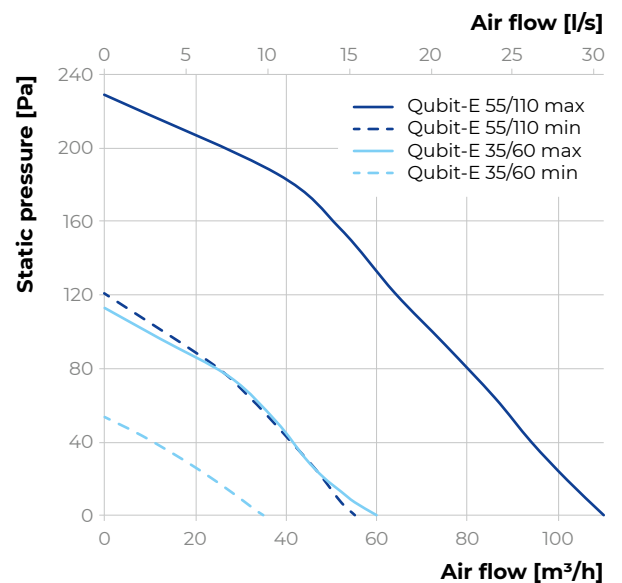
Low noise level

## Design

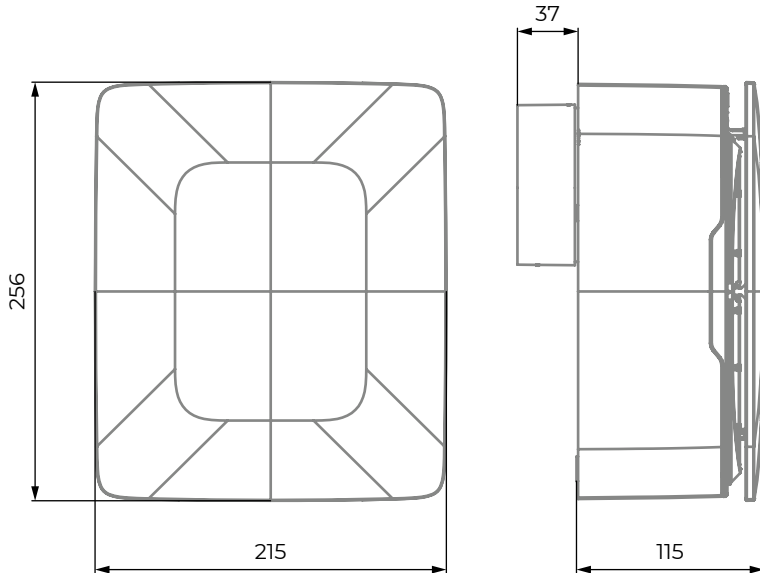


## Technical data

Model	Qubit-E 35/60		Qubit-E 55/110	
Speed	min	max	min	max
Frequency [Hz]	50		50	
Voltage [V]	220-240		220-240	
Power Consumption [W]	11	20	11	26
Current [A]	0.068	0.089	0.081	0.116
Maximum air capacity [m <sup>3</sup> /h (l/s)]	35 (10)	60 (17)	55 (15)	110 (31)
SFP [W/l/s]	1.13	1.20	0.72	0.85
Sound Pressure Level at 3 m [dBA]	15	21	20	36
IP	IP 45		IP 45	



## Overall dimensions [mm]



**blaubergventilatoren.net**

Blauberg Ventilatoren GmbH  
Stäblistraße 6  
81477 Munich, Germany  
HRB 203341  
info@blaubergventilatoren.net

Technical changes reserved.  
Illustrations and texts are non-binding.

**01|2025**

