



OUTER VENTILATION HOOD FOR MOUNTING FROM INSIDE




PP 160

EN

INSTALLATION INSTRUCTION

PURPOSE

The outer ventilation hood is designed to prevent ingress of water and foreign objects into the ventilation equipment from outside. Special design allows installation of the hood from the inside enabling safe mounting on a wall of high-rise buildings.



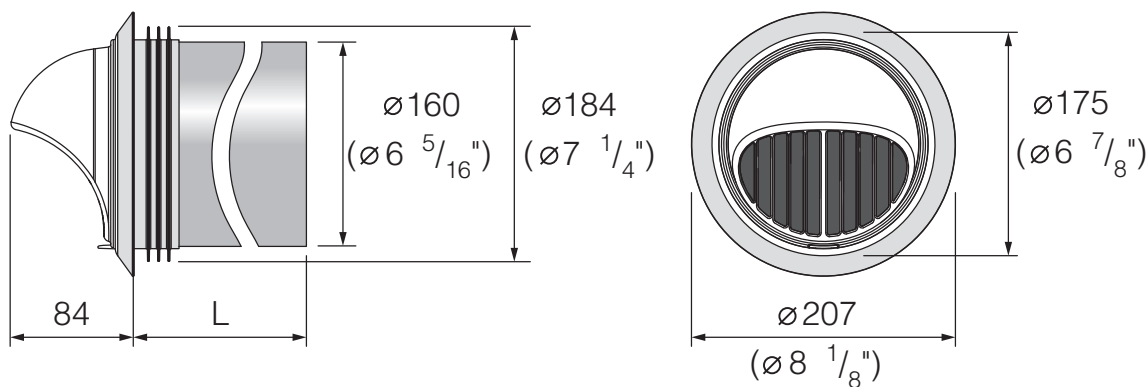
THE OUTER VENTILATION HOOD MAY NOT BE OPERATED BY CHILDREN OR PERSONS WITH REDUCED PHYSICAL, MENTAL OR SENSORY CAPACITIES, OR LACKING THE APPROPRIATE TRAINING.

THE CHOICE OF THE VENTILATION HOOD INSTALLATION LOCATION MUST PREVENT UNAUTHORIZED ACCESS BY UNATTENDED CHILDREN.

DELIVERY SET

Name	Number
Outer ventilation hood	1 item
Air duct	1 item
Mounting kit	1 item
Mounting hood installation instruction	1 item
Packing box	1 item

OVERALL DIMENSIONS, MM (INCH)



Model	L	
	mm	inch
PP 160/0.3	300	11 13/16"
PP 160/0.5	500	19 11/16"
PP 160/0.7	700	27 9/16"
PP 160/0.8	800	31 1/2"

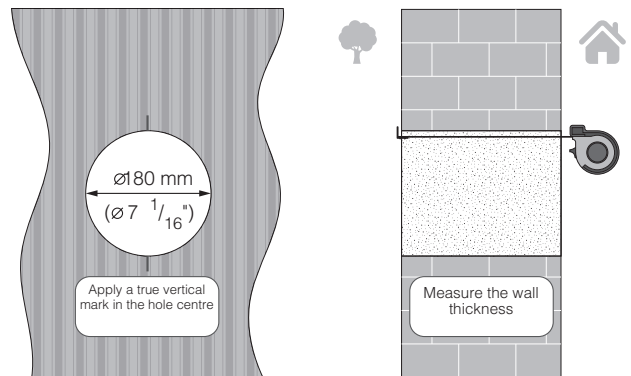


THE PRODUCT MUST BE COLLECTED SEPARATELY AT THE END OF SERVICE LIFE.

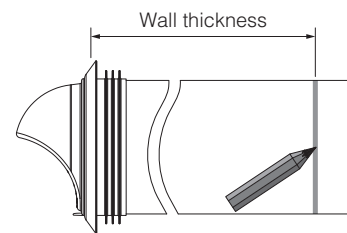
DO NOT DISPOSE OF AS UNSORTED MUNICIPAL WASTE.

OUTER VENTILATION HOOD MOUNTING

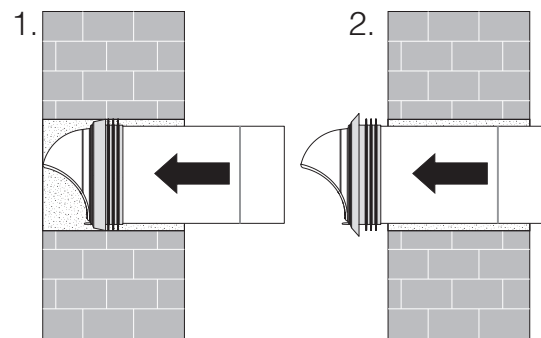
1. Drill a 180 mm hole in the wall.
Apply a true vertical mark through the hole centre for proper ventilation hood alignment.
Insert a tape measure into the hole to measure the wall thickness.



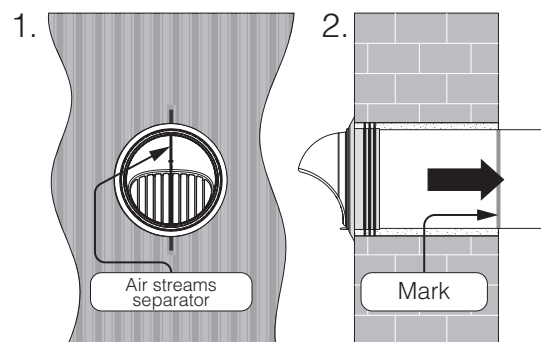
2. Apply a mark to the ventilation hood air duct at the distance equal to the wall thickness obtained earlier.



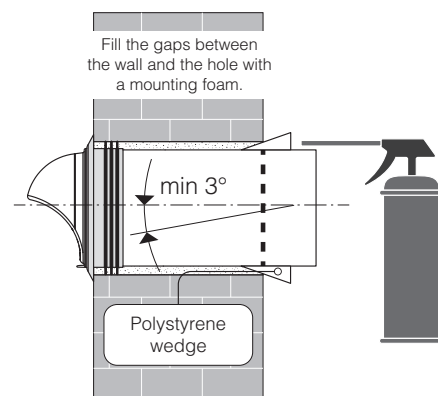
3. Insert the ventilation hood into the hole until the collar protrudes from the outer wall surface.



4. Centre the ventilation hood in such a way so that the hood ridge forms a straight line with the marks on the wall.
Then pull the ventilation hood in the opposite direction until the mark on the air duct reaches the wall level.



5. To centre the air duct use plastic foam wedges (included in delivery).
Install the air duct with the minimum slope 3° downwards. Fill the gaps with sealing foam to secure the air duct in the wall space.
Trim the protruding part of the air duct to the required length.





BLAUBERG
Ventilatoren

