

MR RSKE/RSKM

Mounting frame for fire safety dampers

Use

- The **RSKE/RSKM** smoke exhaust dampers can be additionally equipped with a mounting frame.
- The mounting frame eases the installation of the damper in the wall opening, creating additional rigidity and preventing deformation of the damper during installation.

Designation key

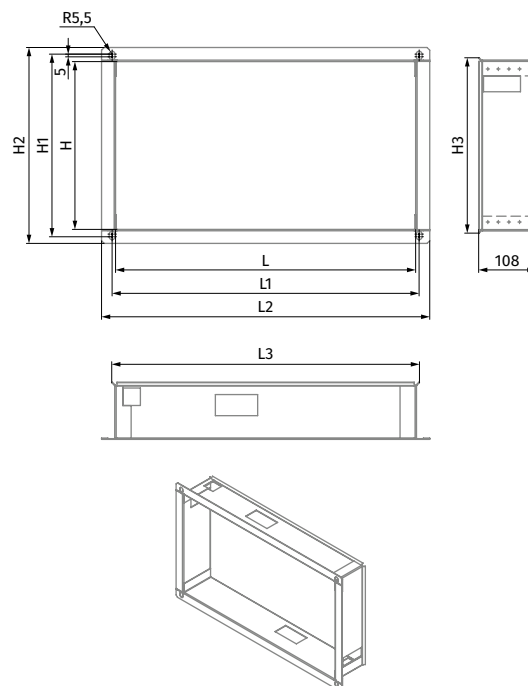
MR RSKE/RSKM X

Series:
Mounting frame

Working section of the damper: BxH (B – width [mm]; H – height [mm])
 Damper flow area width [cm]: 55; 60; 65; 70; 75; 80; 85; 90; 95; 100
 Damper flow area height [cm]: 30; 35; 40; 45; 50; 55; 60; 65; 70; 75; 80; 85; 90; 95; 100

Overall dimensions [mm]

Model	H	H1	H2	H3	L	L1	L2	L3	Weight [kg]
MR RSKE/RSKM 55x30	317	345	370	330.6	567	580	620	580.6	2.97
MR RSKE/RSKM 60x30	317	345	370	330.6	617	630	670	630.6	3.13
MR RSKE/RSKM 65x30	317	345	370	330.6	667	680	720	680.6	3.29
MR RSKE/RSKM 70x30	317	345	370	330.6	717	730	770	730.6	3.45
MR RSKE/RSKM 75x30	317	345	370	330.6	767	780	820	780.6	3.61
MR RSKE/RSKM 80x30	317	345	370	330.6	817	830	870	830.6	3.77
MR RSKE/RSKM 85x30	317	345	370	330.6	867	880	920	880.6	3.93
MR RSKE/RSKM 90x30	317	345	370	330.6	917	930	970	930.6	4.09
MR RSKE/RSKM 95x30	317	345	370	330.6	967	980	1020	980.6	4.25
MR RSKE/RSKM 100x30	317	345	370	330.6	1017	1030	1070	1030.6	4.41
MR RSKE/RSKM 55x35	367	395	420	380.6	567	580	620	580.6	3.13
MR RSKE/RSKM 60x35	367	395	420	380.6	617	630	670	630.6	3.29
MR RSKE/RSKM 65x35	367	395	420	380.6	667	680	720	680.6	3.45
MR RSKE/RSKM 70x35	367	395	420	380.6	717	730	770	730.6	3.61
MR RSKE/RSKM 75x35	367	395	420	380.6	767	780	820	780.6	3.77
MR RSKE/RSKM 80x35	367	395	420	380.6	817	830	870	830.6	3.93
MR RSKE/RSKM 85x35	367	395	420	380.6	867	880	920	880.6	4.09
MR RSKE/RSKM 90x35	367	395	420	380.6	917	930	970	930.6	4.25
MR RSKE/RSKM 95x35	367	395	420	380.6	967	980	1020	980.6	4.41
MR RSKE/RSKM 100x35	367	395	420	380.6	1017	1030	1070	1030.6	4.57
MR RSKE/RSKM 55x40	417	445	470	430.6	567	580	620	580.6	3.29
MR RSKE/RSKM 60x40	417	445	470	430.6	617	630	670	630.6	3.45
MR RSKE/RSKM 65x40	417	445	470	430.6	667	680	720	680.6	3.61
MR RSKE/RSKM 70x40	417	445	470	430.6	717	730	770	730.6	3.77
MR RSKE/RSKM 75x40	417	445	470	430.6	767	780	820	780.6	3.93
MR RSKE/RSKM 80x40	417	445	470	430.6	817	830	870	830.6	4.09
MR RSKE/RSKM 85x40	417	445	470	430.6	867	880	920	880.6	4.25
MR RSKE/RSKM 90x40	417	445	470	430.6	917	930	970	930.6	4.41
MR RSKE/RSKM 95x40	417	445	470	430.6	967	980	1020	980.6	4.57
MR RSKE/RSKM 100x40	417	445	470	430.6	1017	1030	1070	1030.6	4.73
MR RSKE/RSKM 55x45	467	495	520	480.6	567	580	620	580.6	3.45
MR RSKE/RSKM 60x45	467	495	520	480.6	617	630	670	630.6	3.61



Model	H	H1	H2	H3	L	L1	L2	L3	Weight [kg]
MR RSKE/RSKM 65x45	467	495	520	480.6	667	680	720	680.6	3.77
MR RSKE/RSKM 70x45	467	495	520	480.6	717	730	770	730.6	3.93
MR RSKE/RSKM 75x45	467	495	520	480.6	767	780	820	780.6	4.09
MR RSKE/RSKM 80x45	467	495	520	480.6	817	830	870	830.6	4.25
MR RSKE/RSKM 85x45	467	495	520	480.6	867	880	920	880.6	4.41
MR RSKE/RSKM 90x45	467	495	520	480.6	917	930	970	930.6	4.57
MR RSKE/RSKM 95x45	467	495	520	480.6	967	980	1020	980.6	4.73
MR RSKE/RSKM 100x45	467	495	520	480.6	1017	1030	1070	1030.6	4.89
MR RSKE/RSKM 55x50	517	545	570	530.6	567	580	620	580.6	3.61
MR RSKE/RSKM 60x50	517	545	570	530.6	617	630	670	630.6	3.77
MR RSKE/RSKM 65x50	517	545	570	530.6	667	680	720	680.6	3.93
MR RSKE/RSKM 70x50	517	545	570	530.6	717	730	770	730.6	4.09
MR RSKE/RSKM 75x50	517	545	570	530.6	767	780	820	780.6	4.25
MR RSKE/RSKM 80x50	517	545	570	530.6	817	830	870	830.6	4.41
MR RSKE/RSKM 85x50	517	545	570	530.6	867	880	920	880.6	4.57
MR RSKE/RSKM 90x50	517	545	570	530.6	917	930	970	930.6	4.73
MR RSKE/RSKM 95x50	517	545	570	530.6	967	980	1020	980.6	4.89
MR RSKE/RSKM 100x50	517	545	570	530.6	1017	1030	1070	1030.6	5.05
MR RSKE/RSKM 55x55	567	595	620	580.6	567	580	620	580.6	3.77
MR RSKE/RSKM 60x55	567	595	620	580.6	617	630	670	630.6	3.93
MR RSKE/RSKM 65x55	567	595	620	580.6	667	680	720	680.6	4.09
MR RSKE/RSKM 70x55	567	595	620	580.6	717	730	770	730.6	4.25
MR RSKE/RSKM 75x55	567	595	620	580.6	767	780	820	780.6	4.41
MR RSKE/RSKM 80x55	567	595	620	580.6	817	830	870	830.6	4.57
MR RSKE/RSKM 85x55	567	595	620	580.6	867	880	920	880.6	4.73
MR RSKE/RSKM 90x55	567	595	620	580.6	917	930	970	930.6	4.89
MR RSKE/RSKM 95x55	567	595	620	580.6	967	980	1020	980.6	5.05
MR RSKE/RSKM 100x55	567	595	620	580.6	1017	1030	1070	1030.6	5.21
MR RSKE/RSKM 60x60	617	645	670	630.6	617	630	670	630.6	4.09
MR RSKE/RSKM 65x60	617	645	670	630.6	667	680	720	680.6	4.25
MR RSKE/RSKM 70x60	617	645	670	630.6	717	730	770	730.6	4.41
MR RSKE/RSKM 75x60	617	645	670	630.6	767	780	820	780.6	4.57
MR RSKE/RSKM 80x60	617	645	670	630.6	817	830	870	830.6	4.73
MR RSKE/RSKM 85x60	617	645	670	630.6	867	880	920	880.6	4.89
MR RSKE/RSKM 90x60	617	645	670	630.6	917	930	970	930.6	5.05
MR RSKE/RSKM 95x60	617	645	670	630.6	967	980	1020	980.6	5.21
MR RSKE/RSKM 100x60	617	645	670	630.6	1017	1030	1070	1030.6	5.37
MR RSKE/RSKM 65x65	667	695	720	680.6	667	680	720	680.6	4.41
MR RSKE/RSKM 70x65	667	695	720	680.6	717	730	770	730.6	4.57
MR RSKE/RSKM 75x65	667	695	720	680.6	767	780	820	780.6	4.73
MR RSKE/RSKM 80x65	667	695	720	680.6	817	830	870	830.6	4.89
MR RSKE/RSKM 85x65	667	695	720	680.6	867	880	920	880.6	5.05
MR RSKE/RSKM 90x65	667	695	720	680.6	917	930	970	930.6	5.21
MR RSKE/RSKM 95x65	667	695	720	680.6	967	980	1020	980.6	5.37
MR RSKE/RSKM 100x65	667	695	720	680.6	1017	1030	1070	1030.6	5.53
MR RSKE/RSKM 70x70	717	745	770	730.6	717	730	770	730.6	4.73
MR RSKE/RSKM 75x70	717	745	770	730.6	767	780	820	780.6	4.89
MR RSKE/RSKM 80x70	717	745	770	730.6	817	830	870	830.6	5.05
MR RSKE/RSKM 85x70	717	745	770	730.6	867	880	920	880.6	5.21
MR RSKE/RSKM 90x70	717	745	770	730.6	917	930	970	930.6	5.37
MR RSKE/RSKM 95x70	717	745	770	730.6	967	980	1020	980.6	5.53
MR RSKE/RSKM 100x70	717	745	770	730.6	1017	1030	1070	1030.6	5.69
MR RSKE/RSKM 75x75	767	795	820	780.6	767	780	820	780.6	5.05
MR RSKE/RSKM 80x75	767	795	820	780.6	817	830	870	830.6	5.21
MR RSKE/RSKM 85x75	767	795	820	780.6	867	880	920	880.6	5.37
MR RSKE/RSKM 90x75	767	795	820	780.6	917	930	970	930.6	5.53
MR RSKE/RSKM 95x75	767	795	820	780.6	967	980	1020	980.6	5.69
MR RSKE/RSKM 100x75	767	795	820	780.6	1017	1030	1070	1030.6	5.85
MR RSKE/RSKM 80x80	817	845	870	830.6	817	830	870	830.6	5.37
MR RSKE/RSKM 85x80	817	845	870	830.6	867	880	920	880.6	5.53
MR RSKE/RSKM 90x80	817	845	870	830.6	917	930	970	930.6	5.69
MR RSKE/RSKM 95x80	817	845	870	830.6	967	980	1020	980.6	5.85
MR RSKE/RSKM 100x80	817	845	870	830.6	1017	1030	1070	1030.6	6.01
MR RSKE/RSKM 85x85	867	895	920	880.6	867	880	920	880.6	5.69
MR RSKE/RSKM 90x85	867	895	920	880.6	917	930	970	930.6	5.85
MR RSKE/RSKM 95x85	867	895	920	880.6	967	980	1020	980.6	6.01
MR RSKE/RSKM 100x85	867	895	920	880.6	1017	1030	1070	1030.6	6.17
MR RSKE/RSKM 90x90	917	945	970	930.6	917	930	970	930.6	6.01
MR RSKE/RSKM 95x90	917	945	970	930.6	967	980	1020	980.6	6.17
MR RSKE/RSKM 100x90	917	945	970	930.6	1017	1030	1070	1030.6	6.33
MR RSKE/RSKM 95x95	967	995	1020	980.6	967	980	1020	980.6	6.33
MR RSKE/RSKM 100x95	967	995	1020	980.6	1017	1030	1070	1030.6	6.49
MR RSKE/RSKM 100x100	1017	1045	1070	1030.6	1017	1030	1070	1030.6	6.65

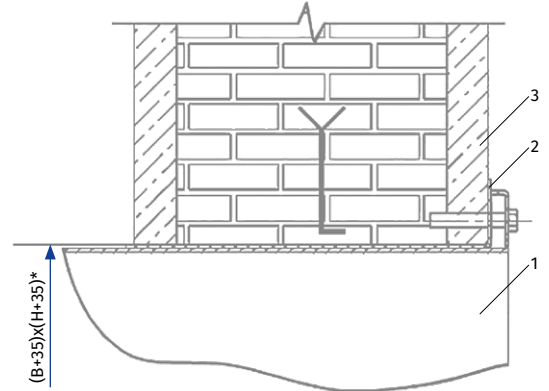
Note: MR RSKE/RSKM frames not indicated in the table can be produced on request.

Mounting

- The damper is attached directly to the flange of the mounting frame by means of self-tapping screws.

FRAME MOUNTING METHODS

Sealing of the damper with an MR RSKE/RSKM mounting frame in the wall opening



1 - damper
2 - mounting frame
3 - wall overlap, where
B [mm] H [mm] – working section of the damper

*dimensions of the wall opening for the frame