

# MLC E2 / MLCD E2

## Room temperature regulator

### Use

- o Automatic or manual temperature control in ventilation and air conditioning systems installed in various premises.
- o Automatic regulation of heating/cooling rate.
- o Control of fans, fancoil dampers and air heating units equipped with three-speed 230 V fans.



### Design

- o Casing made of high-quality plastic.
- o Equipped with a temperature sensor.
- o LED display with illumination and control knobs incorporated in front panel.
- o The display shows: set and current indoor temperature; operation mode for cooling, heating or auto; fan speed.
- o IP40 ingress protection rating.

### Speed control

- o Control by control buttons on regulator casing or by remote control panel (MLCD E2 model).
- o Manual or automatic regulation of indoor temperature. Fan speed high/medium/low. On automatic mode fan speed is regulated by indoor temperature.
- o Automatic regulation of heating/cooling rate in "Night mode":
  - Cooling mode:** 30 min after activation of the night mode the set temperature for the room automatically starts rising by 1 °C per hour within two hours and stays at this level. After 8 hours the timer turns off and the set temperature resets to initial position.
  - Heating mode:** 30 min after activation of the night mode the set temperature for the room automatically starts dropping by 1 °C per hour within three hours and stays at this level. After 8 hours the timer turns off and the set temperature resets to initial position.
- o The set control functions are saved when the thermal regulator is switched off.

### Mounting

- o Indoor installation.
- o Recommended installation height is 1.5 m above the floor level.
- o Do not install the regulator close to windows, heating or cooling equipment.

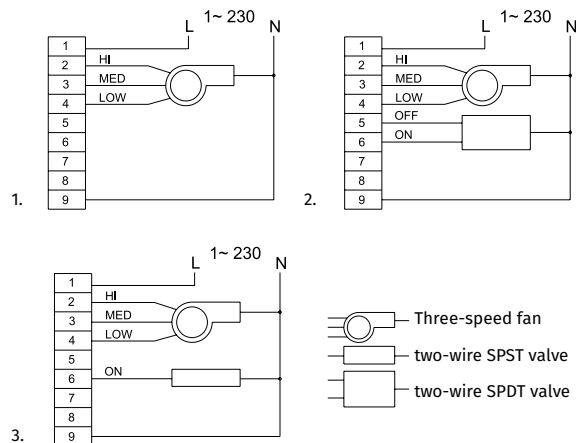
### Modifications and options

- o Model **MLCD E2**: the regulator is equipped with a remote control panel.

### Technical data

Parameters	MLC E2	MLCD E2
Voltage [V]	1 ~ 230	1 ~ 230
Frequency [Hz]	50	50
Rated current [A]	2.0	2.0
Number of speeds	3	3
Temperature regulating range. °C	+10...+30	+10...+30
Overall dimensions WxHxD [mm]	88x88x51	88x88x51
Maximum ambient temperature [°C]	+40	+40
IP rating	IP40	IP40
Remote control panel	no	yes

### Wiring diagram



1. Ventilation with heating and cooling
2. Ventilation with heating and cooling three-wire system of SPDT valves
3. Ventilation with heating and cooling two-wire SPDT valve system