

FITTINGS

FITTINGS FOR ROUND AIR DUCTS

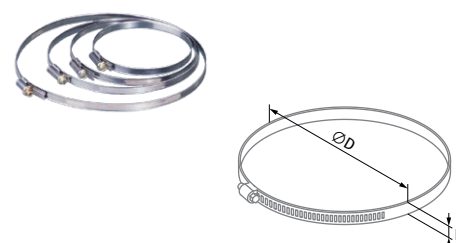
The mounting fittings are used for fixation and connection of round air ducts



Clamp for round flexible ducts K

- Made of stainless steel
- Mounting of flexible air ducts

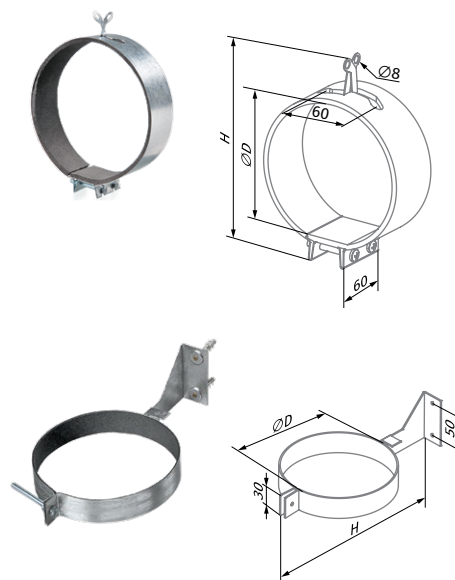
Model	Ø D [mm]	H (Band width) [mm]
K 100	90-110	9
K 125	110-130	9
K 150	140-160	9
K 160	150-170	9
K 200	190-210	9



Clamp for round ducts KZ

- Made of galvanized steel with microporous rubber for vibration damping
- Mounting of round air ducts
- Wall or ceiling mounting (KZH)

Model	Ø D [mm]	H (Height) [mm]
KZ 80	80	152
KZ 100	100	172
KZ 125	125	198
KZ 150	150	224
KZ 160	160	232
KZ 200	200	274
KZ 250	250	326
KZ 315	315	380
KZH 80	80	94
KZH 100	100	204
KZH 125	125	229
KZH 150	150	254
KZH 160	160	264
KZH 200	200	304
KZH 250	250	354
KZH 315	315	419



Flange for round ducts AP

- Made of white plastic
- Connection of round flexible air ducts
- Wall or ceiling mounting with screws
- Equipped with a lock ring for fixation of flexible air ducts

Model	Ø D [mm]	Ø D1 [mm]	Ø D2 [mm]	L [mm]
AP 80	80	115	120	62
AP 100	100	132	139	62
AP 125	125	157	165	62
AP 150	150	179	188	62
AP 200	200	232	240	62

