

# KOMFORT GLA Series

## KOMFORT GLA D250/350/500(F)

420 Pa  
High static  
pressure

500 m<sup>3</sup>/h  
Maximum  
air flow

99 %  
Filtration  
efficiency



The GLA series is the first in the Blauberg household series to adopt BlauFion nanoparticle technology, which actively sterilizes and disinfects the air to ensure clean and healthy indoor air.

### 9 reasons to choose it

1



#### Active sterilization and disinfection, constant protection

BlauFion nanoparticle technology can ionize the water vapor in the air to produce powerful hydroxyl ions, killing bacteria, mold, and viruses, which are then sent into the room with the fresh air to provide long-lasting and safe sterilization.

2



#### Constant air volume, long-lasting comfort

High static pressure with constant air volume technology, not affected by piping, installation, filter resistance, so that the air volume is more stable, to protect the ventilation effect of the whole house.

3



#### Intelligent controller APP control

Equipped with a new generation of intelligent controllers, supporting the "Blauberg New Wind". APP remote control.

3



#### Equipped with a new generation of intelligent controllers, support the "Blauberg new wind" APP remote control

Air supply and exhaust are using a new generation of Blauberg DC frequency conversion fan, warranty 8 years \*, can be independently adjusted speed, easy to realize the indoor positive and negative pressure conversion.

4



#### Highly efficient heat transfer saves energy

Counter-flow heat exchanger core, high efficiency heat recovery, can be directly cleaned with water, anti-bacterial and anti-mold up to 99% \*, to ensure that the air is comfortable and healthy enough.

5



#### Multi-filtration: Highly efficient haze removal

Multi-composite filtration with over 99% efficiency\*. Double the area of the filter, longer service life, with silver ion sterilization, more healthy and environmentally friendly.

6



#### Silent operation, silent protection

The fan is upgraded with a large air volume, lower noise and higher static pressure, and the noise is as low as 30 dB\*, without the need to install a silencer pipe, which is also quiet.

7



#### Installation and Maintenance One Step Ahead

Ultra-thin 2,466mm\* body, front and back installation are optional, adapting to different house types, more convenient installation. Humanized full access design, all parts can be accessed sideways, without the need to reserve a large size access port, no longer worry about maintenance.

8



#### Frost protection: Fearless of the cold

Temperature sensor is set at the exhaust air outlet to stop automatically when the temperature is too low in winter. The air supply fan runs automatically when the temperature rises, effectively protecting the core parts of the machine from frostbite.

Centralized Ventilation System

### KOMFORT GLA D250/350/500(F)

#### Active sterilization | Large air volume for comfort

The 250 model applicable area 80-120m<sup>2</sup> |  
350 model applicable area 120-150m<sup>2</sup>.  
The 500 model is applicable to an area of 150-180 m<sup>2</sup>.

\*Blauberg new wind" APP download: Apple cell phone in the application store search "Blauberg new wind" download, Android cell phone scanning QR code to download.

\*KOMFORT GLA D500, KOMFORT GLA D500 F models are not equipped with constant airflow technology.

\*8-year fan warranty only applies to KOMFORT GLA Dart series models, not applicable to other models.

\*Anti-mold test report number: WJ20214274; Anti-bacterial test report number: WJ20214273.

\*Filtration efficiency data test report number: SHFT211200015671.

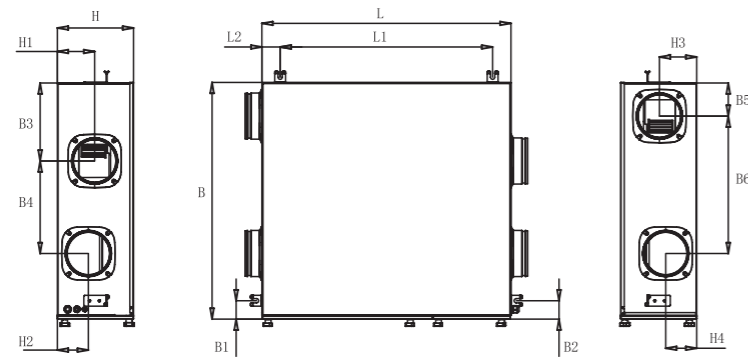
\*GLA series is divided into two products without BlauFion nanoparticle module and BlauFion nanoparticle module, the models without BlauFion nanoparticle module are KOMFORT GLA D250, KOMFORT GLA D350 and KOMFORT GLA D500; Models with BlauFion nanoparticle module are KOMFORT GLA D250 F, KOMFORT GLA D350 F, KOMFORT GLA D500 F.

\*Noise test: From the test data of Bohle noise elimination room, the noise data as low as 30 dB is the data under the low gear of KOMFORT GLA D250(F).

\*246 mm is the body thickness of D250(F) and D350(F) models, and 251mm for D500(F) model.

GLA series-product dimensions

Overall dimensions [mm]															
	B	B1	B2	B3	B4	B5	B6	L	L1	L2	H	H1	H2	H3	H4
KOMFORT GLA D250(F)	664	59	59	252	246	107	344	804	686	59	246	120	100	120	100
KOMFORT GLA D350(F)	764	59	59	252	299	107	444	804	686	59	246	120	100	120	100
KOMFORT GLA D500(F)	648	38	38	175	358	166	407	1134	1100	/	251	127	116	127	108



GLA series-technical parameters

Model	KOMFORT GLA D250(F)			KOMFORT GLA D350(F)			KOMFORT GLA D500(F)		
	Maximum speed	Medium speed	Low speed	Maximum speed	Medium speed	Low speed	Maximum speed	Medium speed	Low speed
Parameters									
Applicable area [m <sup>2</sup> ]	80-120			120-150			150-180		
Maximum static pressure [Pa]	380			420			400		
Rated voltage [V]	220			220			220		
Rated power [W]	90	60	30	125	72	40	280	110	70
Rated current [A]	0.41	0.27	0.13	0.57	0.33	0.18	1.27	0.5	0.32
Air volume [m <sup>3</sup> /h]	250	175	100	350	245	140	500	350	200
Static pressure outside the machine [Pa]	120	120	120	120	120	120	150	150	150
Maximum speed of blowers [RPM]	2000			2000			1800		
Noise level [dB(A)]	36	33	30	38	36	32	40	38	35
Operating temperature [°C]	+1...+40								
Shell material	Polymer coated steel sheets								
Insulation material	Thermal insulation cotton								
Return air filter	G4+G3 composite filter								
Air supply filter	G4+G3 composite screen, H13 silver ion composite screen								
Filtration efficiency [PM2.5]	99%								
Flange [mm]	150								
Weight [kg]	29			35			49		
Total heat exchange efficiency	72%			73%			75%		
Core type	Counterflow full heat washable								
Core Material	Polymer membrane								

Static pressure-air volume curve

