

Iso-Primo

Sound-insulated inline mixed-flow fans

Use

- Supply and extract ventilation systems installed in various premises with high requirements to the noise level.
- For ventilation air ducts requiring high pressure, powerful air flow and low noise level.
- Compatible with Ø 200 up to Ø 400 mm air ducts.

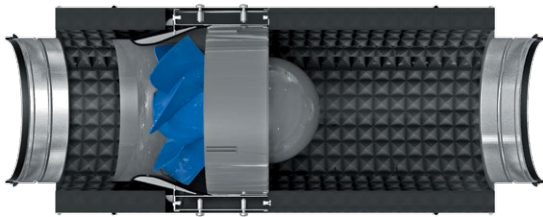


Air flow:
up to 3185 m³/h
885 l/s



Design

- The casing is made of galvanized steel, internally filled with 30 mm acoustic foam.
- Mixed-flow impeller made of high-quality plastic.
- The specially designed diffuser, impeller and airflow rectifier at the fan outlet provide smooth air flow distribution and enable the best combination of high capacity, powerful pressure and low noise.
- External airtight terminal block on the fan casing for power supply.
- Mounting brackets on the fan casing for mounting to the ceiling.



Motor

- Three-speed single-phase high-efficient motor with low energy demand on ball bearings.
- All motors have manual reset thermal overload protection.
- Motor ingress protection rating IPX4.

Speed control

- Speed selection with a built-in speed switch (US option) or an external multi-speed controller (specially ordered accessory).
- Smooth speed control is possible either with an external thyristor or transformer speed controller (specially ordered accessory) when connected to the maximum speed terminal.

Mounting

- The unit is intended for mounting to round air ducts. The fan is installed between the air ducts. The fan casing has mounting brackets to facilitate suspended installation of the fan. While installing the fan, ensure convenient access for subsequent maintenance and repair.

Designation key

Series	Duct diameter [mm]	Options
Iso-Primo	200; 250; 315; 355; 400	T: turn-off delay timer adjustable from 2 to 30 minutes US: three-position speed switch G1: speed controller, temperature controller with an external temperature sensor, power cable with mains plug. W: power cable with mains plug

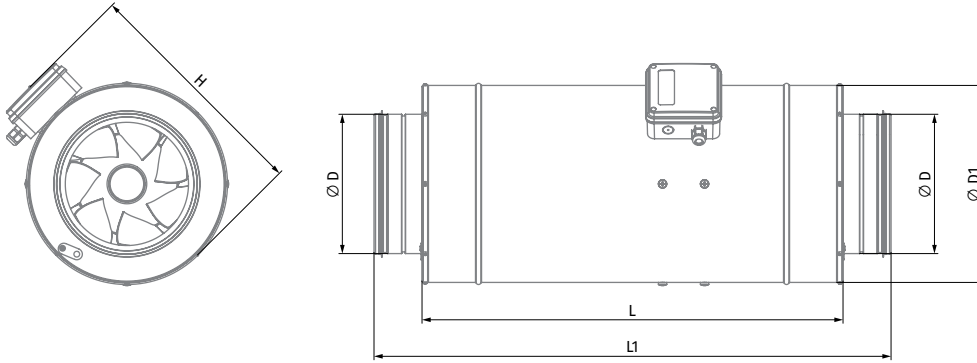
Accessories

Silencers	Filter boxes	Electric heaters	Water heaters	Backdraft air dampers	Air dampers	Clamps	Speed switches	Speed controllers		
SD	KFBK KFBT	EKH	WKH	VRV	VK / VKA	K	CDP-3/5	CDT1 E	CDT E1.8	CDE E... TP

SOUND-INSULATED INLINE FANS

Overall dimensions [mm]

Type	Ø D	Ø D1	H	L	L1	Weight [kg]
Iso-Primo 200	199	281	339	601	739	8.2
Iso-Primo 250	249	337	389	601	739	9.8
Iso-Primo 315	314	412	468	601	739	20.7
Iso-Primo 355	354	412	471	601	739	20.7
Iso-Primo 400	399	460	517	648	785	22.8



Technical data

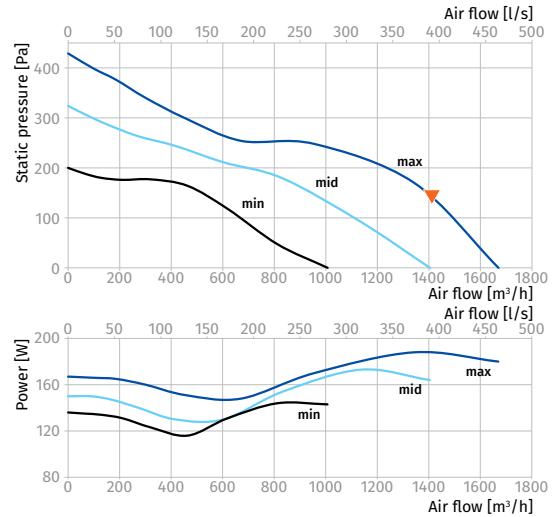
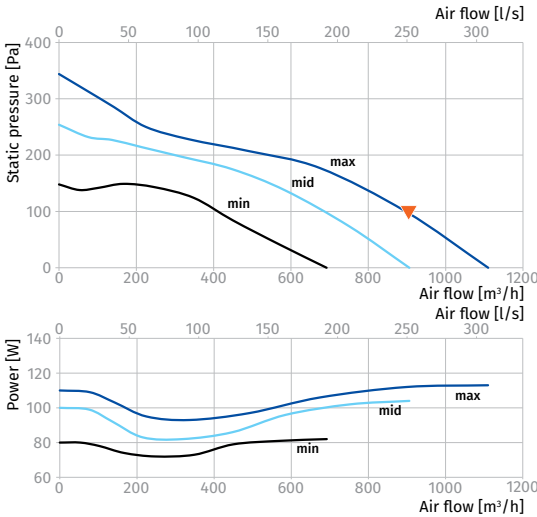
Parameters	Iso-Primo 200			Iso-Primo 250			Iso-Primo 315		
	min	mid	max	min	mid	max	min	mid	max
Speed									
Voltage [V / 50 Hz]	1 ~ 230			1 ~ 230			1 ~ 230		
Power [W]	82	104	113	144	173	188	126	131	148
Current [A]	0.37	0.46	0.51	0.70	0.81	0.84	0.60	0.58	0.66
Maximum air flow [m³/h (l/s)]	692 (192)	906 (252)	1110 (308)	1007 (280)	1404 (390)	1670 (464)	1913 (531)	2120 (589)	2300 (639)
RPM [min ⁻¹]	2229	2634	2823	2292	2626	2876	1350	1400	1470
Sound pressure at 3 m [dBA]	37	42	44	38	43	45	33	34	36
Transported air temperature [°C]	-25...+55			-25...+55			-25...+55		
IP rating	IPX4			IPX4			IPX4		
Motor IP rating	IP20			IP20			IP20		
ErP	2018			2018			2018		

ISO-PRIMO 200

Sound power level, A-weighted	Total	Octave frequency bands [Hz]								LpA 3 m	LpA 1 m
		63	125	250	500	1000	2000	4000	8000		
LWA to inlet [dBA]	67	63	63	59	55	47	42	42	37	46	56
LWA to outlet [dBA]	68	65	64	59	57	49	45	45	36	48	58
LWA to environment [dBA]	64	55	51	61	60	40	40	28	22	44	54

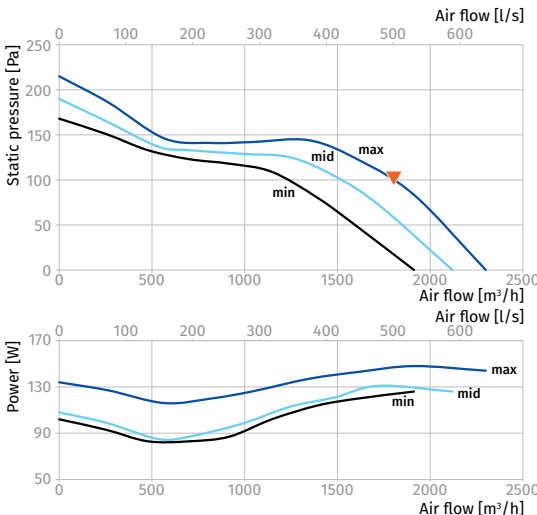
ISO-PRIMO 250

Sound power level, A-weighted	Total	Octave frequency bands [Hz]								LpA 3 m	LpA 1 m
		63	125	250	500	1000	2000	4000	8000		
LWA to inlet [dBA]	70	45	56	62	64	63	60	62	57	49	59
LWA to outlet [dBA]	71	41	49	61	64	67	65	60	54	51	61
LWA to environment [dBA]	65	57	55	60	58	55	54	47	39	45	55



ISO-PRIMO 315

Sound power level, A-weighted	Total	Octave frequency bands [Hz]								LpA 3 m	LpA 1 m
		63	125	250	500	1000	2000	4000	8000		
LWA to inlet [dBA]	63	44	57	60	56	52	48	40	32	43	53
LWA to outlet [dBA]	67	42	56	65	60	50	48	42	33	46	56
LWA to environment [dBA]	56	40	51	51	48	47	40	30	25	36	46



Parameters	Iso-Primo 355			Iso-Primo 400			
	min	mid	max	min	mid	max	
Speed							
Voltage [V / 50 Hz]		1 ~ 230			1 ~ 230		
Power [W]	126	131	150	197	204	224	
Current [A]	0.60	0.58	0.66	0.91	0.90	0.98	
Maximum air flow [m³/h (l/s)]	1986 (552)	2170 (603)	2360 (656)	2543 (706)	2979 (828)	3185 (885)	
RPM [min ⁻¹]	1350	1400	1470	1320	1390	1446	
Sound pressure at 3 m [dBA]	33	34	36	34	35	37	
Transported air temperature [°C]		-25...+55			-25...+55		
IP rating		IPX4			IPX4		
Motor IP rating		IP20			IP20		
ErP		2018			2018		

ISO-PRIMO 355

Sound power level, A-weighted	Total	Octave frequency bands [Hz]								LpA 3 m	LpA 1 m
		63	125	250	500	1000	2000	4000	8000		
LWA to inlet [dBA]	64	44	58	61	56	53	48	40	33	44	54
LWA to outlet [dBA]	69	43	57	67	62	51	49	43	34	48	58
LWA to environment [dBA]	57	40	52	52	48	47	41	30	25	36	46

ISO-PRIMO 400

Sound power level, A-weighted	Total	Octave frequency bands [Hz]								LpA 3 m	LpA 1 m
		63	125	250	500	1000	2000	4000	8000		
LWA to inlet [dBA]	63	44	57	60	56	52	48	40	32	43	53
LWA to outlet [dBA]	70	45	59	69	63	52	50	44	35	50	60
LWA to environment [dBA]	57	41	53	53	49	48	41	31	25	37	47

