

Iso

Sound-insulated inline centrifugal fans

Use

- Supply and extract ventilation systems installed in premises with high requirements to the noise level.
- Compatible with Ø 100 up to 200 mm round air ducts.



Air flow:
up to 850 m³/h
236 l/s



Power:
from 115 W



Noise level:
from 29 dBA



Design

- Aluzinc casing internally filled with thermal and sound-insulating layer of foamed polystyrene.
- The connection spigots are equipped with rubber seals.
- The fan is equipped with a power cord for standard size 100–200.

Motor

- Two- or four-pole asynchronous motor with external rotor and centrifugal impeller with forward curved blades.
- Equipped with ball bearings for longer service life.
- Integrated thermal protection with automatic restart.
- Dynamically balanced impeller.

Speed control

- Smooth speed control with an external thyristor controller or step speed control with an external auto transformer (both available upon separate order).

Mounting

- Fixed to wall or ceiling with a fixing bracket supplied as a standard.
- Flexible air ducts are fixed on the fan spigots with clamps.

Modifications and options

- FR1:** smooth speed controller adjustable from 0 to 100 % and power cable with mains plug.
- G1:** speed controller, temperature controller with external temperature sensor (cable length 4 m), power cable with mains plug.
- G1I:** speed controller, temperature controller with integrated temperature sensor and power cable with mains plug.
- The **G1** and **G1I** modifications enable automatic speed control depending on indoor temperature. The optimal ventilation solution for premises requiring permanent temperature control as greenhouses, orangeries, etc.
- W1:** power cable with mains plug.

Designation key

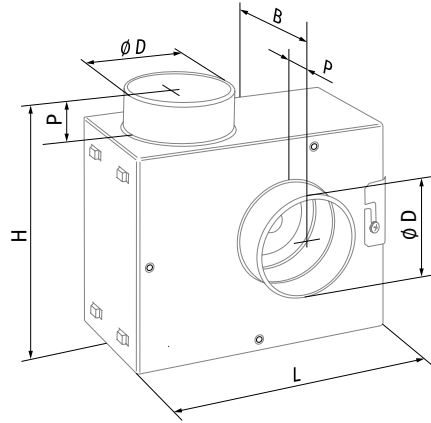
Series	Spigot diameter [mm]	Motor		Options
		Number of poles	Phase	
Iso	100; 125; 150; 160; 200	– 2, 4	E: single-phase D: three-phase	FR1: smooth speed controller adjustable from 0 to 100 % and power cable with mains plug G1: speed controller, temperature controller with external temperature sensor, 5 min timer switch and power cable with mains plug G1I: speed controller, temperature controller with integrated temperature sensor and power cable mains plug W1: power cable with mains plug

Accessories

Silencers	Filter boxes	Electric heaters	Water heaters	Backdraft air dampers	Air dampers	Speed controllers	Timers/Sensors
 SD	 KFBK / KFBT	 EKH	 WKH	 VRV	 VK / VKA	 CDT E1.8	 TE(TI) / HSE(HSI) / LSE(LSI) / IRSE(IRSI)

Overall dimensions [mm]

Type	Ø D	B	H	L	P	Weight [kg]
Iso 100-2E	99	184	308	310	48	4.22
Iso 125-2E	123	204	308	310	48	4.57
Iso 150-2E	148	231	343	358	48	6.28
Iso 160-2E	158	231	343	358	48	6.28
Iso 200-4E	198	282	408	445	48	8.25

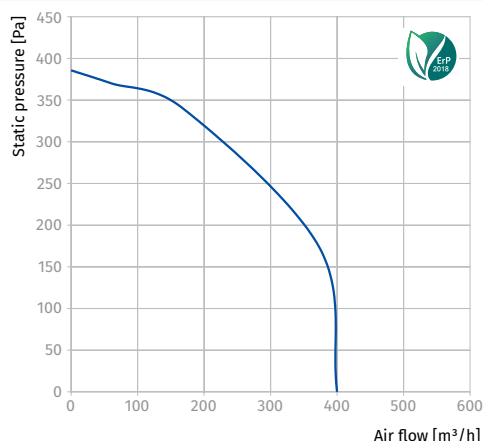


Technical data

Parameters	Iso 100-2E	Iso 125-2E	Iso 150-2E	Iso 160-2E
Voltage [V]	1 ~ 230	1 ~ 230	1 ~ 230	1 ~ 230
Frequency [Hz]	50	50	50	50
Power [W]	130	155	335	335
Current [A]	0.51	0.52	1.16	1.16
Maximum air flow [m ³ /h (l/s)]	400 (111)	530 (147)	730 (203)	730 (203)
RPM [min ⁻¹]	2650	2650	2600	2600
Sound pressure at 3 m [dBA]	36.1	38.3	39.4	37.9
Transported air temperature [°C]	-25...+40	-25...+40	-25...+40	-25...+40
SEC class	C	C	C	C
IP rating	IPX4	IPX4	IPX4	IPX4
Motor IP rating	IP44	IP44	IP44	IP44
ErP	2018	2018	2018	2018

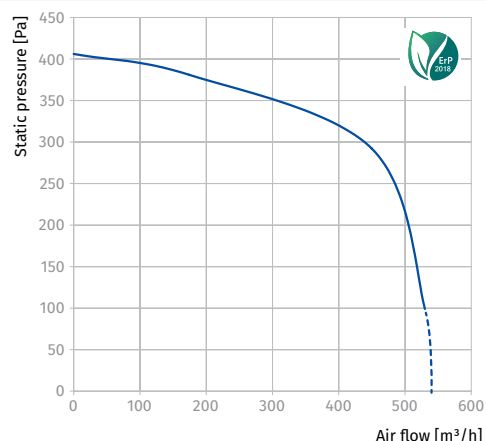
ISO 100-2E

Sound power level, A-weighted	Total	Octave frequency bands [Hz]							
		63	125	250	500	1000	2000	4000	8000
L _{WA} to inlet [dBA]	47	44	41	42	37	35	35	30	29
L _{WA} to outlet [dBA]	50	45	41	41	37	35	31	30	28
L _{WA} to environment [dBA]	43	39	36	37	31	30	28	25	22



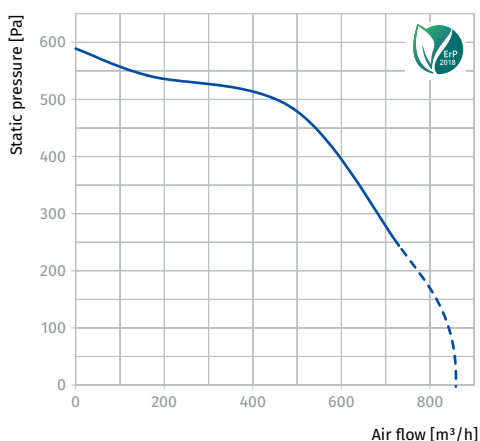
ISO 125-2E

Sound power level, A-weighted	Total	Octave frequency bands [Hz]							
		63	125	250	500	1000	2000	4000	8000
L _{WA} to inlet [dBA]	48	45	44	46	37	39	33	30	25
L _{WA} to outlet [dBA]	50	45	43	47	39	39	33	29	27
L _{WA} to environment [dBA]	45	40	39	41	34	33	27	23	22



ISO 150-2E, ISO 160-2E

Sound power level, A-weighted	Total	Octave frequency bands [Hz]							
		63	125	250	500	1000	2000	4000	8000
Iso 150-2E									
L _{WA} to inlet [dBA]	55	42	52	50	40	35	28	25	21
L _{WA} to outlet [dBA]	55	43	51	48	40	34	29	23	23
L _{WA} to environment [dBA]	50	39	48	44	35	30	25	20	17
Iso 160-2E									
L _{WA} to inlet [dBA]	56	44	51	48	38	33	29	24	22
L _{WA} to outlet [dBA]	54	42	51	50	37	31	30	25	25
L _{WA} to environment [dBA]	49	37	47	43	34	28	25	20	18



Parameters	Iso 200-4E
Voltage [V]	1 ~ 230
Frequency [Hz]	50
Power [W]	115
Current [A]	0.45
Maximum air flow [m³/h (l/s)]	850 (236)
RPM [min ⁻¹]	1300
Sound pressure at 3 m [dBA]	29.1
Transported air temperature [°C]	-25...+40
SEC class	-
IP rating	IPX4
Motor IP rating	IP44
ErP	-

ISO 200-4E

Sound power level, A-weighted	Total	Octave frequency bands [Hz]							
		63	125	250	500	1000	2000	4000	8000
L _{WA} to inlet [dBA]	43	39	38	38	31	29	20	17	14
L _{WA} to outlet [dBA]	43	36	38	34	34	27	23	18	18
L _{WA} to environment [dBA]	38	33	35	31	27	22	16	13	11

