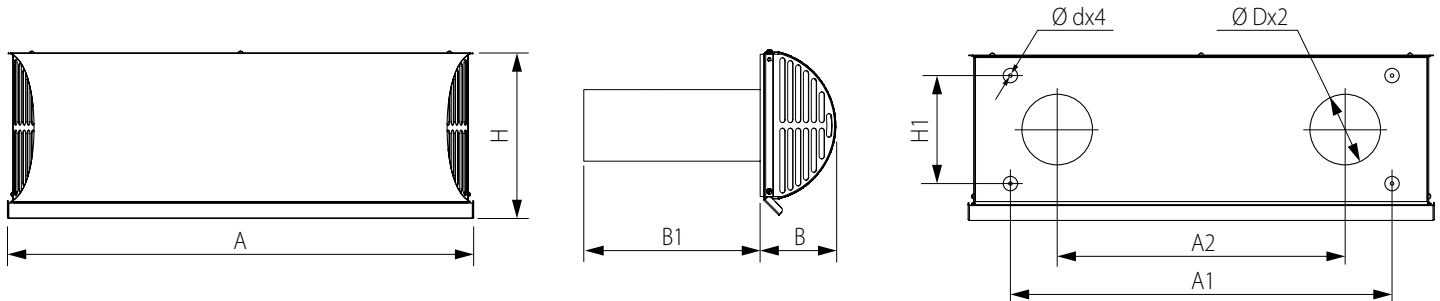


INSTALLATION INSTRUCTION

MOUNTING KIT MS FRESHBOX 110

OUTLINE DRAWING



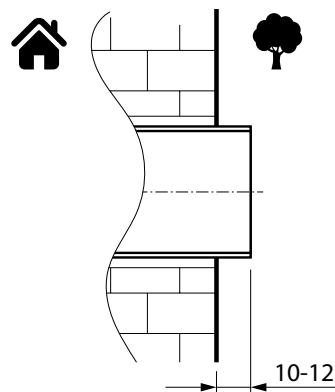
Model	Dimensions [mm]								
	Ø d	Ø D	A	A1	A2	B	B1	H	H1
MS Freshbox 110	4.8	100	518	400	270	107	500	230	150

DELIVERY SET

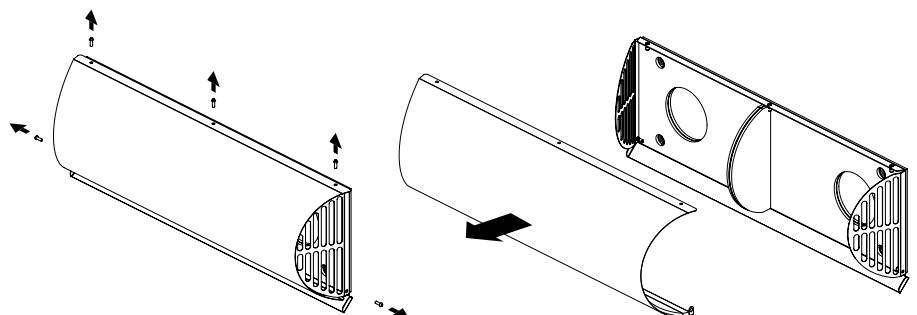
Name	Number
Cardboard template	1 pc.
Plastic air ducts	2 pcs.
Supply and exhaust outer hood	1 pc.
Installation instruction	1 pc.

INSTALLATION

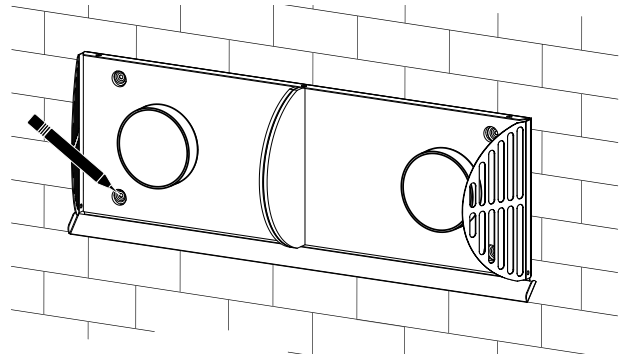
1. Insert the air duct from indoor to protrude from outside on the outer wall surface.
Cut the air duct excess with a hack saw or with any other suitable tool.



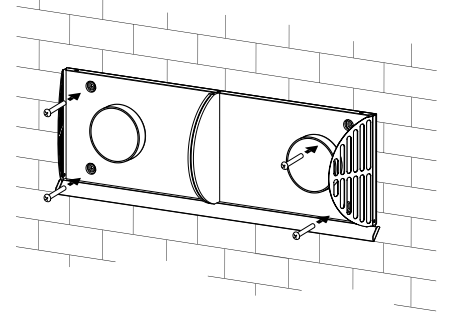
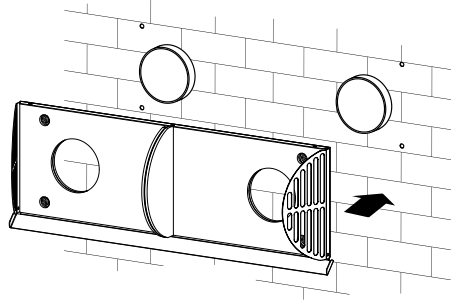
2. Disassemble the hood to enable access to the fastening holes.
Remove the screws that secure the front part of the hood and remove it.



3. Mark the mounting holes using the back part of the ventilation hood.
Drill 4 holes for 6x40 dowels to a depth of 50 mm.



4. Insert the supplied expansion anchors 6x40 into the holes.
Fix the back part of the hood on the wall using the supplied screws 4x40.



5. Place the front part of the hood on the back part and secure with screws.

