

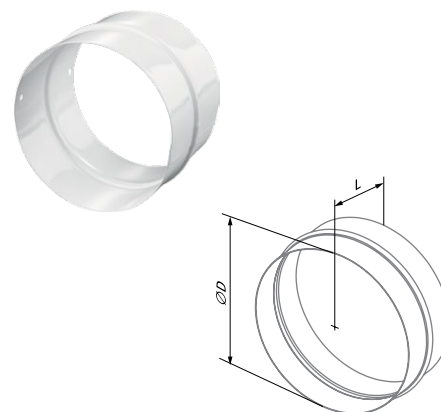
FITTINGS

FITTINGS FOR ROUND AIR DUCTS

Round duct connector SVM, SVZ

- Made of white polymer coated steel (SVM) or galvanized steel (SVZ)
- Connection of round air ducts

Model	Ø D [mm]	L [mm]
SVM 80	80	62
SVM 100	100	62
SVM 125	125	62
SVM 150	150	62
SVM 160	160	62
SVM 200	200	62
SVM 250	250	62
SVM 315	315	62
SVZ 80	80	62
SVZ 100	100	62
SVZ 125	125	62
SVZ 150	150	62
SVZ 160	160	62
SVZ 200	200	62
SVZ 250	250	62
SVZ 315	315	62



Spigot with a plate for round ducts FQM, FQZ

- Made of white polymer coated steel (FQM) or galvanized steel (FQZ)
- Mounting with round air ducts
- Wall or ceiling mounting with screws

Model	Ø D [mm]	a [mm]	b [mm]	L [mm]
FQM 80	80	130 × 130	114 × 114	50
FQM 100	100	150 × 150	134 × 134	50
FQM 125	125	170 × 170	156 × 156	50
FQM 150	150	204 × 204	188 × 188	50
FQM 160	160	210 × 210	194 × 194	50
FQM 200	200	250 × 250	234 × 234	50
FQM 250	250	300 × 300	284 × 284	50
FQM 315	315	360 × 360	344 × 344	50
FQZ 80	80	130 × 130	114 × 114	50
FQZ 100	100	150 × 150	134 × 134	50
FQZ 125	125	170 × 170	156 × 156	50
FQZ 150	150	204 × 204	188 × 188	50
FQZ 160	160	210 × 210	194 × 194	50
FQZ 200	200	250 × 250	234 × 234	50
FQZ 250	250	300 × 300	284 × 284	50
FQZ 315	315	360 × 360	344 × 344	50

