




CENTRIFUGAL INLINE FAN



CENTRO-M 100 L
CENTRO-M 100
CENTRO-M 125 L
CENTRO-M 125
CENTRO-M 150 E
CENTRO-M 150
CENTRO-M 150 max
CENTRO-M 160
CENTRO-M 160 max

CENTRO-M 200
CENTRO-M 200 max
CENTRO-M 250 E
CENTRO-M 250
CENTRO-M 315
CENTRO-M 315 max
CENTRO-M 355 L
CENTRO-M 400
CENTRO-M 450

EN

USER'S MANUAL

CONTENTS

Safety requirements.....	2
Purpose.....	4
Delivery set.....	4
Designation key.....	4
Technical data.....	5
Design and operating principle	6
Installation and set-up.....	6
Connection to power mains	7
Control	8
Technical maintenance.....	8
Possible malfunctions and troubleshooting	9
Storage and transportation regulations.....	9
Manufacturer's warranty	10
Certificate of acceptance.....	11
Seller information	11
Installation certificate.....	11
Warranty card.....	11

This user's manual is a main operating document intended for technical, maintenance, and operating staff.

The manual contains information about purpose, technical details, operating principle, design, and installation of the CENTRO-M unit and all its modifications.

Technical and maintenance staff must have theoretical and practical training in the field of ventilation systems and should be able to work in accordance with workplace safety rules as well as construction norms and standards applicable in the territory of the country.

SAFETY REQUIREMENTS

All operations described in this manual must be performed by qualified personnel only, properly trained and qualified to install, make electrical connections and maintain ventilation units.

Do not attempt to install the product, connect it to the mains, or perform maintenance yourself. This is unsafe and impossible without special knowledge.

Disconnect the power supply prior to any operations with the unit.

All user's manual requirements as well as the provisions of all the applicable local and national construction, electrical, and technical norms and standards must be observed when installing and operating the unit.

Disconnect the unit from the power supply prior to any connection, servicing, maintenance, and repair operations.

Connection of the unit to power mains is allowed by a qualified electrician with a work permit for the electric units up to 1000 V after careful reading of the present user's manual.

Check the unit for any visible damage of the impeller, the casing, and the grille before starting installation. The casing internals must be free of any foreign objects that can damage the impeller blades.

While mounting the unit, avoid compression of the casing! Deformation of the casing may result in motor jam and excessive noise.

Misuse of the unit and any unauthorised modifications are not allowed.

Do not expose the unit to adverse atmospheric agents (rain, sun, etc.).

Transported air must not contain any dust or other solid impurities, sticky substances, or fibrous materials.

Do not use the unit in a hazardous or explosive environment containing spirits, gasoline, insecticides, etc.

Do not close or block the intake or extract vents in order to ensure the efficient air flow.

Do not sit on the unit and do not put objects on it.

The information in this user's manual was correct at the time of the document's preparation.

The Company reserves the right to modify the technical characteristics, design, or configuration of its products at any time in order to incorporate the latest technological developments.

Never touch the unit with wet or damp hands.

Never touch the unit when barefoot.

BEFORE INSTALLING ADDITIONAL EXTERNAL DEVICES, READ THE RELEVANT USER MANUALS.

This unit is not intended for use by persons (including children) with reduced physical, sensory or mental capabilities, or lack of experience and knowledge, unless they have been given supervision or instruction concerning use of the unit by a person responsible for their safety.

Children should be supervised to ensure that they do not play with the unit.

This appliance can be used by children aged from 8 years and above and persons with reduced physical, sensory or mental capabilities or lack of experience and knowledge if they have been given supervision or instruction concerning use of the appliance in a safe way and understand the hazards involved.

Cleaning and user maintenance shall not be done by children without supervision.

Children shall not play with the appliance.

Connection to the mains must be made through a disconnecting device, which is integrated into the fixed wiring system in accordance with the wiring rules for design of electrical units, and has a contact separation in all poles that allows for full disconnection under overvoltage category III conditions.

CAUTION: In order to avoid a safety hazard due to inadvertent resetting of the thermal cut-out, this unit must not be supplied through an external switching device, such as a timer, or connected to a circuit that is regularly switched on and off by the utility.

Ensure that the unit is switched off from the supply mains before removing the guard.

WARNING: If there are any unusual oscillating movements, immediately stop using the unit and contact the manufacturer, its service agent or suitably qualified persons.

The replacement of parts of the safety suspension system device shall be performed by the manufacturer, its service agent or suitably qualified persons.

Precautions must be taken to avoid the back-flow of gases into the room from the open flue of gas or other fuel-burning appliances.

The appliance may adversely affect the safe operation of appliances burning gas or other fuels (including those in other rooms) due to back flow of combustion gases. These gases can potentially result in carbon monoxide poisoning. After installation of the unit the operation of flued gas appliances should be tested by a competent person to ensure that back flow of combustion gases does not occur.

If the supply cord is damaged, it must be replaced by the manufacturer, its service agent, or similarly qualified persons in order to avoid a safety hazard.



THE PRODUCT MUST BE DISPOSED SEPARATELY AT THE END OF ITS SERVICE LIFE.

DO NOT DISPOSE THE UNIT AS UNSORTED DOMESTIC WASTE.

PURPOSE

The CENTRO-M centrifugal fans are designed for ventilation of domestic, public and manufacturing premises heated during winter. The transported air temperature must be within the limits stated in the «Technical data» section.

The fan is designed for horizontal or vertical mounting in an air duct and is used both for supply and exhaust ventilation.

Transported air must not contain any flammable or explosive mixtures, evaporation of chemicals, sticky substances, fibrous materials, coarse dust, soot and oil particles or environments favourable for the formation of hazardous substances (toxic substances, dust, pathogenic germs).



**THE UNIT CAN BE USED IN KITCHEN SPACES ONLY IF THERE IS A GREASE FILTER.
INSTALL A KITCHEN HOOD WITH A GREASE FILTER IF AIR IS EXTRACTED FROM THE
COOKING SURFACE.**

DELIVERY SET

NAME	NUMBER
Fan	1 pc.
Outer mounting bracket for CENTRO-M fans	2 pcs.
User's manual	1 pc.
Packing box	1 pc.

DESIGNATION KEY

CENTRO-M 100 L

Additional options

max – equipped with a high-watt motor

L – equipped with a low-watt motor

E – equipped with an energy-saving motor

G1 – speed controller and temperature controller

FR1 – speed controller

W1 – power cord with an electric plug

Exhaust spigot diameter

Fan series

CENTRO-M – centrifugal inline fan

TECHNICAL DATA

Permitted deviation of mains voltage: $\pm 10\%$ of the rated voltage.

The fan must be grounded.

Ingress protection rating against access to hazardous parts and water ingress is IPX4.

Motor protection rating - IP44 (for CENTRO-M 355 L/400/450 – IP54)

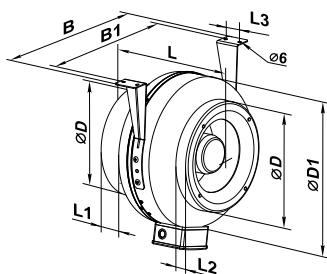
The unit design is constantly being improved, thus some models, their wiring diagrams and terminal symbols may be slightly different from those described in this manual.

To comply with the ErP 2018 regulation, a local demand controller and speed controller must be used.

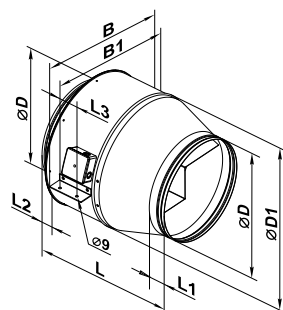


OVERALL AND CONNECTING DIMENSIONS

CENTRO-M 100 - 315



CENTRO-M 355 - 450



Model	Dimensions [mm]								Weight [kg]
	Ø D	Ø D1	B	B1	L	L1	L2	L3	
CENTRO-M 100 L	99	245	301	261	195	20	20	30	2,1
CENTRO-M 100	99	245	301	261	195	20	20	30	2,4
CENTRO-M 125 L	123	255	310	270	205	20	25	30	2,9
CENTRO-M 125	123	255	310	270	205	20	25	30	3,2
CENTRO-M 150 E	148	305	360	320	200	20	25	30	4,25
CENTRO-M 150	149	345	395	355	200	20	20	40	4,7
CENTRO-M 150 max	149	345	395	355	230	20	20	40	5,4
CENTRO-M 160	159	305	360	320	220	25	25	30	5,0
CENTRO-M 160 max	158	340	390	350	245	25	25	40	6,4
CENTRO-M 200	198	345	395	355	255	25	30	40	6,6
CENTRO-M 200 max	198	345	395	355	255	25	30	40	8,3
CENTRO-M 250 E	248	345	395	355	250	25	30	40	6,2
CENTRO-M 250	248	345	395	355	250	25	30	40	8,4
CENTRO-M 315	314	405	455	415	260	30	30	40	8,0
CENTRO-M 315 max	314	405	455	415	290	30	30	40	8,8
CENTRO-M 355 L	353	460	552	522	506	60	60	70	18,8
CENTRO-M 400	398	570	663	634	570	60	60	70	25,1
CENTRO-M 450	448	608	700	670	644	60	60	80	27,26

DESIGN AND OPERATING PRINCIPLE

The fan consists of the casing 1, the electric motor attached to the inner fixing bracket 4, the cover 2 that is fixed to the casing with screws 3 (the casing spigot diameter and the cover diameter are equal to the connected air duct diameter), the terminal box 5 that incorporates a terminal block and a capacitor and enables connection of the fan to single-phase power mains.

The fan models with a temperature and speed controller are equipped with a speed control knob 9, a thermostat control knob 10, a fan on/off LED light indicator 11 and a thermostat LED light indicator 12 that are located on the terminal box cover.

The fan models with the speed controller are equipped with a speed control knob 9 which is located on the terminal box 5 cover.

The fan models with a speed controller or with a speed and temperature controller are connected to power mains through a power cable with a plug.

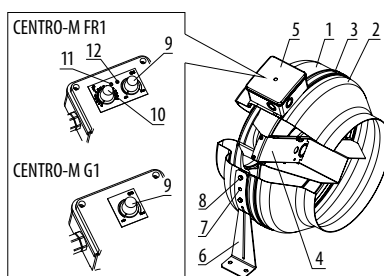


Fig. 1

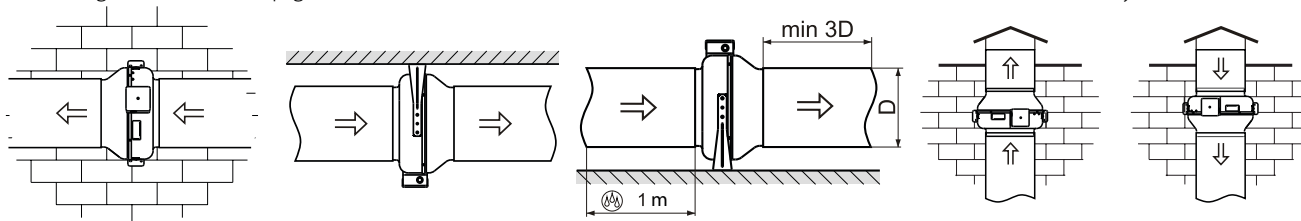
- 6 – outer fixing bracket
- 7 – screws
- 8 – bolt
- 9 – control knob of fan impeller rotation speed
- 10 – thermostat control knob
- 11 – fan on/off LED light indicator
- 12 – thermostat LED light indicator

INSTALLATION AND SET-UP



READ THE USER'S MANUAL BEFORE INSTALLING THE UNIT

The fans are designed for vertical or horizontal mounting. Air motion in the system must be in compliance with the direction of the arrow on the fan casing. Install a hood on outlet (discharge) spigot side in case of the vertical fan installation. Provide a straight air duct section at least 1 m long on the intake spigot side in case of horizontal fan installation with maximum allowable humidity.



Mounting sequence:

- Remove the bolt from the casing 1 and install the fixing brackets in such a way so that the holes on the fixing brackets are aligned with the heads of the screws 3.
- Fix the fixing brackets on the casing with bolts.
- Drill the holes in the mounting surface to match the fitment holes of the fixing brackets.
- Fix the fan with the screws.

CONNECTION TO POWER MAINS



DISCONNECT THE POWER SUPPLY PRIOR TO ANY OPERATIONS WITH THE UNIT.

CONNECTION OF THE UNIT TO POWER MAINS IS ALLOWED BY A QUALIFIED ELECTRICIAN WITH A WORK PERMIT FOR THE ELECTRIC UNITS UP TO 1000 V AFTER CAREFUL READING OF THE PRESENT USER'S MANUAL.

THE RATED ELECTRICAL PARAMETERS OF THE UNIT ARE GIVEN ON THE MANUFACTURER'S LABEL



ANY TAMPERING WITH THE INTERNAL CONNECTIONS IS PROHIBITED AND WILL VOID THE WARRANTY.

The fan is designed for 220-240 V, 50 Hz/220 V, 60 Hz single-phase alternating current mains.

The fan shall be connected to power supply by means of insulated, durable and thermal-resistant cords (cables, wires) through the external circuit breaker with a thermal-magnetic trip built into the stationary wiring to disconnect all the power mains phases. The rated current must be not below the rated current consumption (refer to the «Technical data» section). The QF external switch location must ensure free access for quick shutdown of the fan.

The recommended rated current of the circuit breaker:

- 2 A for the CENTRO-M 355 L fans
- 3.15 A for the CENTRO-M 400, CENTRO-M 450 fans
- 1 A for all other fans

The recommended wire cross section is minimum 0.75 mm².

The actual conductor cross-section selection must be based on its type, maximum permissible heating, insulation, length and installation method (in the air, pipes or inside walls). Connect the cables to the terminal block incorporated inside the terminal box located on the fan casing in compliance with the fan wiring diagram and the terminal designation. The terminal designations are shown on the sticker inside terminal block of course.

The wiring diagram for the CENTRO-M 450 fans is shown in Fig. 2. The wiring diagram for the other fans is shown in Fig. 3.

The fans with a speed controller and temperature and speed controller (CENTRO-M FR(FR1)) are designed for connection to single-phase AC power mains 220-240 V, 50 Hz/220 V, 60 Hz and are equipped with a power cord and a plug (supplied connected to the terminal block).

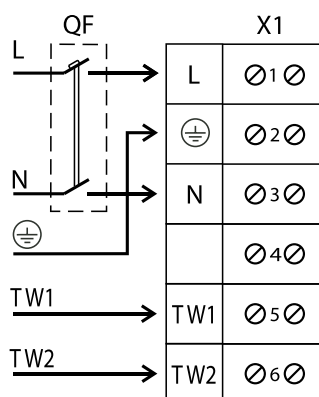


Fig. 2

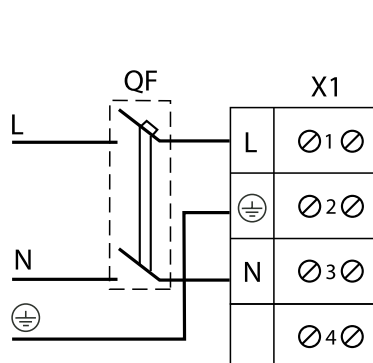


Fig. 3

The TW1, TW2 terminals are the electrical leads of the normally closed contact of the motor overheating protection.

Connect the contact in series to power circuit of the magnetic starter coil KM1 that starts the motor after pressing the S1 button.

In case of pressing the S2 button or motor overheating, the contact gets broken and switches the starter coil off to cut power off and stop the motor. The QF circuit breaker, the magnetic starter KM1, the control knobs S1 and S2 are not included in the delivery and must be installed by the user.

The motor connection example with thermal protecting contacts leaded outside are shown in Fig. 4.

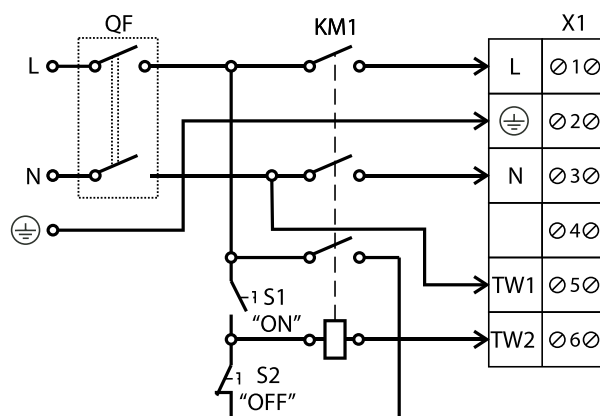


Fig. 4

CONTROL

The CENTRO-M FR1 fans with a built-in electronic module

The electronic module is designed for smooth control of fan impeller rotation speed (air flow). The speed is controlled with the speed control knob 9 (Fig. 1).

The CENTRO-M G1 fans with a temperature and speed controller (see Fig. 1).

The controller is designed for air temperature control and fan speed control depending on ambient air temperature 10. The speed is controlled with the speed control knob 9 and the temperature control knob 10. The CENTRO-M G(G1) fans are equipped with an external temperature sensor fixed on a 4 m cable.

The cover of the terminal box incorporates the following controls:

- fan speed control knob 9
- thermostat control knob 10 to set the thermostat temperature threshold
- on/off LED light indicator 11
- thermostat LED light indicator 12

Operation algorithm of CENTRO-M G1 fans

Set the thermostat temperature threshold with a thermostat control knob 10. Switch on the fan, then set the fan speed with the speed control knob 9. The fan on/off light indicator 11 lights up. The controller switches the fan to the maximum speed (maximum air flow) as the temperature rises and crosses the thermostat setpoint. The thermostat light indicator 12 glows if the temperature is above the thermostat setpoint. If the temperature falls 2 °C below the thermostat setpoint, the fan reverts to the preset lower speed. This prevents frequent speed changeovers during operation with the temperature close to the threshold value. This control logic enables tracking temperature fluctuations and respond to the temperature change with accuracy up to 2 °C. The rate of the speed switching depends exclusively on the air temperature fluctuations.

TECHNICAL MAINTENANCE



DISCONNECT THE UNIT FROM POWER SUPPLY BEFORE ANY MAINTENANCE OPERATIONS!
MAKE SURE THE UNIT IS DISCONNECTED FROM POWER MAINS BEFORE REMOVING THE PROTECTION.

The technical maintenance includes periodic cleaning of the surfaces from accumulated dust and dirt. Use a soft dry brush or a vacuum cleaner to remove dust.

The impeller blades require thorough cleaning once in 6 months.

To do this, unscrew the self-tapping screws 3 and remove the cover 2 (Fig. 1).

Clean the impeller blades with a soft cloth wetted in mild water detergent solution. Avoid liquid dripping on the motor.

POSSIBLE MALFUNCTIONS AND TROUBLESHOOTING

PROBLEM	POSSIBLE REASONS	TROUBLESHOOTING
When switching on the unit the fan does not start.	No power supply.	Check the electrical connections and the power switch status.
	Motor jamming.	Turn off the fan. Troubleshoot the impeller jamming. Restart the fan.
Circuit breaker tripping during the fan start.	The automatic circuit breaker is triggered by an abnormally high current consumption due to a short circuit.	Disconnect the fan from power mains and contact the Seller. Do not turn on the fan again!
Low air flow.	Clogging of air ducts or other ventilation system elements. Impeller clogging. Damaged air ducts. Air damper closure.	Clean the air ducts and other ventilation system elements as well as the impeller. Check the air ducts for damage. Make sure the air dampers and louvre shutters are open.

STORAGE AND TRANSPORTATION REGULATIONS

- Store the unit in the manufacturer's original packaging box in a dry closed ventilated premise with temperature range from +5 °C up to +40 °C and relative humidity up to 70 %.
- Storage environment must not contain aggressive vapors and chemical mixtures provoking corrosion, insulation, and sealing deformation.
- Use suitable hoist machinery for handling and storage operations to prevent possible damage to the unit.
- Follow the handling requirements applicable for the particular type of cargo.
- The unit can be carried in the original packaging by any mode of transport provided proper protection against precipitation and mechanical damage. The unit must be transported only in the working position.
- Avoid sharp blows, scratches, or rough handling during loading and unloading.
- Prior to the initial power-up after transportation at low temperatures, allow the unit to warm up at operating temperature for at least 3-4 hours.

MANUFACTURER'S WARRANTY

The product is in compliance with EU norms and standards on low voltage guidelines and electromagnetic compatibility. We hereby declare that the product complies with the provisions of Electromagnetic Compatibility (EMC) Directive 2014/30/EU of the European Parliament and of the Council, Low Voltage Directive (LVD) 2014/35/EU of the European Parliament and of the Council and CE-marking Council Directive 93/68/EEC. This certificate is issued following test carried out on samples of the product referred to above.

The manufacturer hereby warrants normal operation of the unit for 24 months after the retail sale date provided the user's observance of the transportation, storage, installation, and operation regulations. Should any malfunctions occur in the course of the unit operation through the Manufacturer's fault during the guaranteed period of operation, the user is entitled to get all the faults eliminated by the manufacturer by means of warranty repair at the factory free of charge. The warranty repair includes work specific to elimination of faults in the unit operation to ensure its intended use by the user within the guaranteed period of operation. The faults are eliminated by means of replacement or repair of the unit components or a specific part of such unit component.

The warranty repair does not include:

- routine technical maintenance
- unit installation/dismantling
- unit setup

To benefit from warranty repair, the user must provide the unit, the user's manual with the purchase date stamp, and the payment paperwork certifying the purchase. The unit model must comply with the one stated in the user's manual. Contact the Seller for warranty service.

The manufacturer's warranty does not apply to the following cases:

- User's failure to submit the unit with the entire delivery package as stated in the user's manual including submission with missing component parts previously dismantled by the user.
- Mismatch of the unit model and the brand name with the information stated on the unit packaging and in the user's manual.
- User's failure to ensure timely technical maintenance of the unit.
- External damage to the unit casing (excluding external modifications as required for installation) and internal components caused by the user.
- Redesign or engineering changes to the unit.
- Replacement and use of any assemblies, parts and components not approved by the manufacturer.
- Unit misuse.
- Violation of the unit installation regulations by the user.
- Violation of the unit control regulations by the user.
- Unit connection to power mains with a voltage different from the one stated in the user's manual.
- Unit breakdown due to voltage surges in power mains.
- Discretionary repair of the unit by the user.
- Unit repair by any persons without the manufacturer's authorization.
- Expiration of the unit warranty period.
- Violation of the unit transportation regulations by the user.
- Violation of the unit storage regulations by the user.
- Wrongful actions against the unit committed by third parties.
- Unit breakdown due to circumstances of insuperable force (fire, flood, earthquake, war, hostilities of any kind, blockades).
- Missing seals if provided by the user's manual.
- Failure to submit the user's manual with the unit purchase date stamp.
- Missing payment paperwork certifying the unit purchase.



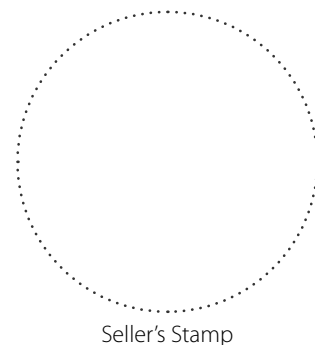
FOLLOWING THE REGULATIONS STIPULATED HEREIN WILL ENSURE A LONG AND TROUBLE-FREE OPERATION OF THE UNIT



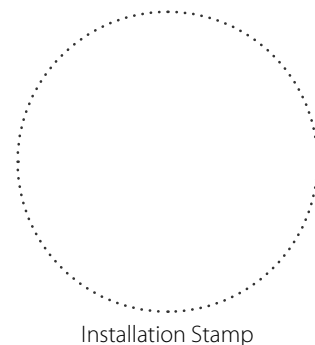
USER'S WARRANTY CLAIMS SHALL BE SUBJECT TO REVIEW ONLY UPON PRESENTATION OF THE UNIT, THE PAYMENT DOCUMENT AND THE USER'S MANUAL WITH THE PURCHASE DATE STAMP

CERTIFICATE OF ACCEPTANCE	
Unit Type	Centrifugal inline fan
Model	
Serial Number	
Manufacture Date	
Quality Inspector's Stamp	

SELLER INFORMATION	
Seller	
Address	
Phone Number	
E-mail	
Purchase Date	
This is to certify acceptance of the complete unit delivery with the user's manual. The warranty terms are acknowledged and accepted.	
Customer's Signature	



INSTALLATION CERTIFICATE	
The _____ unit is installed pursuant to the requirements stated in the present user's manual.	
Company name	
Address	
Phone Number	
Installation Technician's Full Name	
Installation Date:	Signature:
The unit has been installed in accordance with the provisions of all the applicable local and national construction, electrical and technical codes and standards. The unit operates normally as intended by the manufacturer.	
Signature:	



WARRANTY CARD	
Unit Type	Centrifugal inline fan
Model	
Serial Number	
Manufacture Date	
Purchase Date	
Warranty Period	
Seller	

