

CENTRO-JET DUAL

Induction centrifugal fans

The **Centro-Jet Dual** is a new, ergonomic, efficient version of centrifugal fans for use in confined spaces with low ceiling heights. Suitable for mining pollutants and CO in car parks, access tunnels, exits routes and shopping malls.



Features

- The fans generate a high-speed and high-pressure directed.
- The supply of a template with a special design for fast mounting and the option of installing the fan in the best air exhaust direction is an important benefit that saves time in installations.
- The fan has a sound insulation of mineral wool.
- The motor ingress protection rating is IP44 or IP55.
- The motors are designed for mains voltages of 120 V, 230 V and 400 V and a frequency of 50 Hz or 60 Hz.
- **Centro-Jet Dual** fans are designed for horizontal ceiling mounting and fixation by means of the supplied fixing brackets attached to the fan casing.
- Maximum temperature of air to be carried -20...+60 °C.

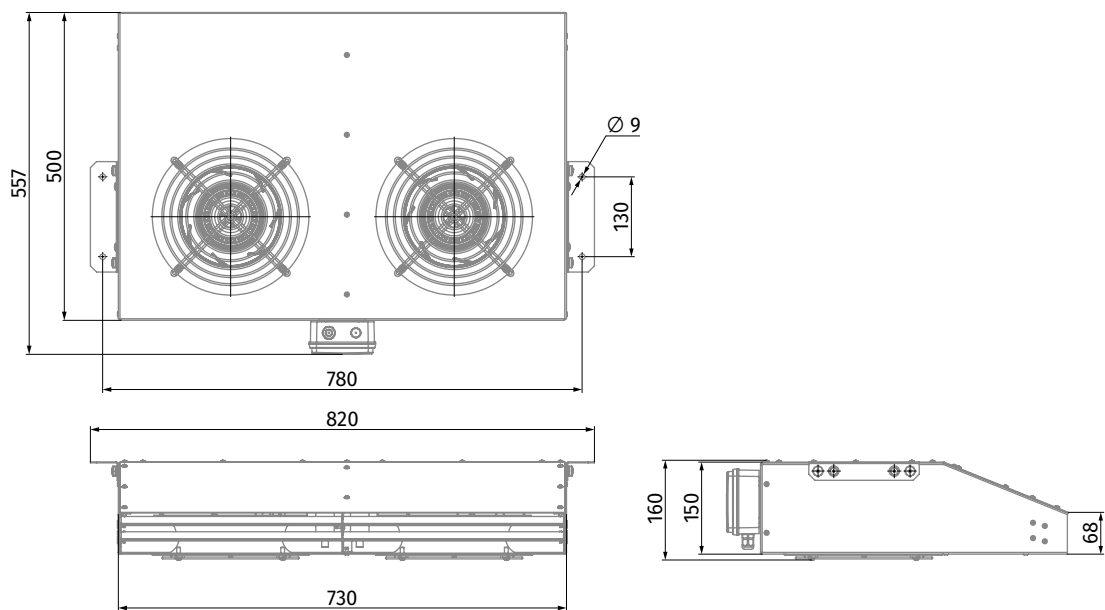
Technical data

| Model | Centro-Jet Dual 12N AC | | Centro-Jet Dual 12N EC | Centro-Jet Dual 12N AC 120/60 | Centro-Jet Dual 12N EC 120/60 |
|----------------------------|------------------------|------|------------------------|-------------------------------|-------------------------------|
| Thrust [N] | 12 | 12 | 12 | 12 | 12 |
| Voltage [V] | 230 | 230 | 200-277 | 120 | 120 |
| Frequency [Hz] | 50 | 60 | 50/60 | 60 | 60 |
| Power [W] | 400 | 480 | 320 | 500 | 340 |
| Current [A] | 2.1 | 2.3 | 2.4 | 4.2 | 4.2 |
| Maximum air flow [m³/h] | 2650 | 2700 | 2550 | 2700 | 2550 |
| RPM [min ⁻¹] | 2650 | 2850 | 2800 | 3200 | 2550 |
| Sound pressure level [dBA] | 69 | 70 | 70 | 71 | 68 |
| Motor IP | 44 | 44 | 55 | 44 | 55 |
| Weight [kg] | 20 | 20 | 18 | 21 | 18 |

Designation key

| Series | Thrust | Motor type | Voltage | Frequency |
|--|--------|------------|-----------------------|-------------------------|
| Centro-Jet Dual: Impulse Centrifugal Fan | - 12N | - EC AC | - 230 V 120: 120 V | / 50 Hz 60 Hz: 60 Hz |

Dimensions [mm]



Impulse thrust

| | Centro-Jet Dual 12N AC | Centro-Jet Dual 12N AC 60Hz | Centro-Jet Dual 12N AC 120/60Hz | Centro-Jet Dual 12N EC | Centro-Jet Dual 12N EC 120/60Hz |
|-------------------------------|------------------------|-----------------------------|---------------------------------|------------------------|---------------------------------|
| Speed [rpm] | 2650 | 2850 | 3200 | 2800 | 2550 |
| Thrust [N] | 12 | 12 | 12 | 12 | 12 |
| Air exhaust speed [m/s] | 13 | 13 | 15 | 14 | 13 |
| Air speed [m/s] | 1 | 1 | 1,2 | 1 | 1 |
| Maximum length x of blade [m] | 18 | 18 | 20 | 19 | 18 |
| Maximum length y of blade [m] | 7 | 7 | 8 | 8 | 7 |

