

CDTE E TP

Speed controller



Use

- Applied in ventilation systems for speed switching ON/OFF and speed control of single phase power-controlled motors. Several fans can be controlled synchronously in case their total consumption current does not exceed the maximum controller current.

Design and control

- The controller casing is made of flame-retardant thermoplastic and fitted with ON/OFF knob with pilot light. The controller is featured with high efficiency and control accuracy. Output power is controlled from 30 to 100 % as a function of the control knob position. The minimum speed is set by means of the potentiometer at the PCB. The controller is equipped with an extra 230 V terminal for connection and controlling such external equipment as actuator-driven air dampers.

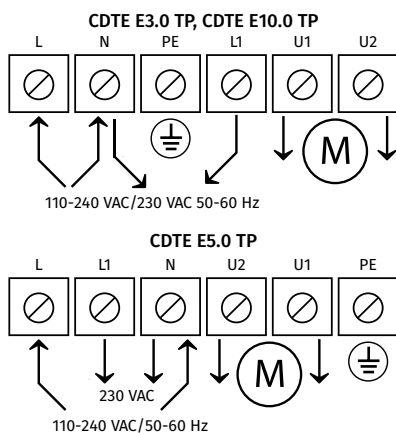
Protection

- Input circuit of the speed controller has a thermal fuse for overload protection. The controller is fitted with a transient filter.

Mounting

- The controller is designed for indoor mounting. Installation shall be performed with respect to the free air circulation for inner circuit cooling. The controller is designed for vertical installation. Do not install the controller above the heaters and in bad air convection areas.

Controller wiring diagram

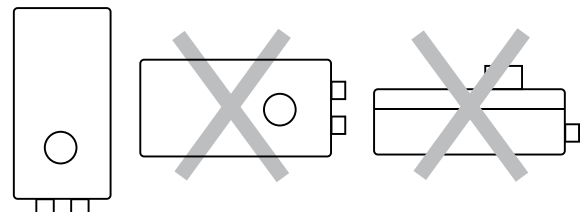


- L:** Power (230 VAC/50-60 Hz)
- N:** Neutral
- PE:** Ground terminal
- L1:** Non-adjustable output, (230 V/max. 2 A)
- U1, U2:** Adjustable motor output

Technical data

Parameters	CDTE E3.0 TP	CDTE E5.0 TP	CDTE E10.0 TP
Voltage [V / 50 (60) Hz]	1 ~ 230	1 ~ 230	1 ~ 230
Minimum current [A]	0.3	0.5	1.0
Maximum current [A]	3	5	10
Overall dimensions W×H×D [mm]	96×162×75	96×162×93	124×205×97
Transported air temperature [°C]	-20...+35	-20...+35	-20...+35
IP rating	IP54	IP54	IP54
Weight [kg]	0.46	0.62	1.04

Device operating position



Overall dimensions [mm]

Type	∅ D	H	H1	L	L1	W
CDTE E3.0 TP	4.2	162	108.8	96	71	75
CDTE E5.0 TP	4.2	162	108.8	96	71	93
CDTE E10.0 TP	4.6	205	140	124	102	97

