



TWO-SPEED FAN SWITCH

“BLAUBERG CDP-2/5”

USE

The product is applied for speed switching of domestic double-speed fans and other similar products equipped with multi-speed motors.

The switch is designed for mounting into a junction box.

BASIC TECHNICAL DATA

Power voltage: 230 V, 50/60 Hz.

Output voltage, no less: 600 W (current load no more 3 A)

Load type: inductive, active

Overall dimensions, no more 88x88x51 mm.

Ingress Protection Rating: IP40 (on front panel side only).

Operating medium conditions: from -10°C up to +40°C at 80% relative humidity.

The operating medium must not contain explosive and corrosion-provoking substances.

DELIVERY SET

The delivery set comprises:

speed switch - 1 pce;

user's manual;

packing box.

SAFETY REQUIREMENTS

All the connection, service and maintenance operations are allowed by qualified electricians only, after careful reading of the user's manual.

Warning! The speed switch circuit is under mains voltage! Disconnect the product from power mains prior to all the mounting, connection and adjustment operations!

DESIGN DESCRIPTION

The speed switch view is shown in fig. 1

Position of the speed switch knob indicates following modes:

OFF - the unit is switched off

1 - low speed

2 - high speed

INSTALLATION AND OPERATION GUIDELINES

Install the speed switch vertically on the wall in a junction box flush or surface mounted.

While operating and mounting the speed switch the following factors are not allowed:

sprayed water/liquid, raindrops;

direct sunlight exposure;

installation near heating equipment and other heat sources.

Connect the product to power mains through an automatic circuit breaker integrated into a fixed wiring with no less than 3 mm gap on all poles.

Connect the product in compliance with the wiring diagram on fig. 2.

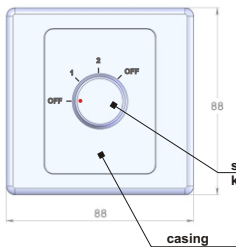


fig. 1

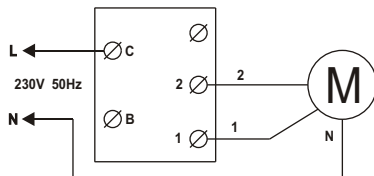


fig. 2

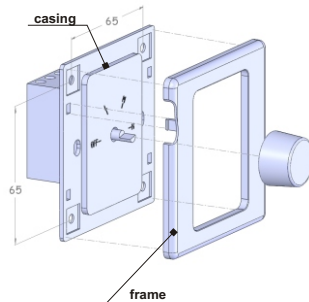


fig. 3

MOUNTING SEQUENCE (refer fig. 3)

Remove the speed switch knob with a screwdriver.

The back side of the casing includes four latches for fixing of the switch front panel.

Remove the front panel by pressing two latches slightly.

To connect the cable to power mains:

Switch the automatic circuit breaker off to turn line voltage off.

Strip the wire ends for 5-7 mm, connect them to the screw terminals and fix the wire ends with screws.

Route the power supply wires in the junction box and fix the speed switch with self-tapping screws to the junction box.

Place the front panel back and press it slightly to click.

Install the speed switch knob.

Connect the switch to power mains and turn the speed switch knob counterclockwise against stop (OFF position).

For setting the required fan speed rotate the speed switch knob clockwise.

STORAGE RULES

Store the product in the original packing in a ventilated room at the temperatures between +5°C and +40°C and the relative humidity not more than 80% at 25°C.

MANUFACTURER'S WARRANTY

Manufacturer hereby guarantees normal operation of the product for 12 months from the date of resale, subject to compliance with transport, storage, mounting and operation rules.

No warranty for mechanically damaged products.

In case of no confirmation of the sales date, warranty period is calculated from the production date.

In case of the product failure due to manufacturing defect during the warranty period the consumer has the right for the product replacement. Replacements are offered by the Seller.

Contact the Seller for the product replacement.

ACCEPTANCE CERTIFICATE

The speed switch is recognized as serviceable

Sold by

Manufactured on (date):

(name of trading enterprise, stamp of store)

Approval mark

Date of sale