

CABRIO / CABRIO DESIGN

INTELLIGENT FANS

Innovative high-efficient extract fan with a DC motor, automatic shutters, low-noise operation and Wi-Fi control from a smartphone



Air flow:
up to 101 m³/h
28 l/s



Power:
from 3 W
SFP:
from 0.15 W/l/s



Noise level:
from 22 dBA



Features



- Low energy demand from 3 W due to a new energy-efficient DC motor.
- The casing and the impeller are made of high-quality, durable, UV resistant ABS plastic.
- Specially designed impeller aerodynamic profile provides high air flow and low-noise operation.
- The fan is equipped with a special mechanism for smooth opening and closing of the front panel.
- The fan extract spigot incorporates specially designed air rectifiers to reduce air turbulence and noise level.
- Due to the high ingress protection rating IP44 the fan is the ideal bathroom ventilation solution. The electronic components are protected with tight covers.
- The shortened spigot enables to install the fan in a the ventilation shaft with limited mounting space or to connect to a Ø 100 mm air duct.
- Multi-colour LED backlight (available for Cabrio Design 100).

Mounting example



Modes and functions

- The fan control, including the LED lighting colour selection, is performed with the "Blauberg Fan" mobile application.



INTELLIGENT HUMIDITY AND TEMPERATURE CONTROL

The fan has an integrated intelligent humidity and temperature sensor with the function of automatic keeping of the natural indoor climate.

The fan is able to set a balanced air **humidity level** for a serviced room. The fan functioning is defined by means of statistic analysis of the registered indoor humidity values.

The humidity threshold can be manually set from 40 % up to 80 %. If the indoor air humidity exceeds the set point, the fan turns on or goes to higher speed.

The **temperature threshold** is set manually. If the air temperature exceed the set point, the fan goes to high speed and operates at high speed until the indoor air temperature decreases 4 °C below the set point. After that the fan reverts to previous mode.



24 HOURS

24 hours: activation of this mode keeps the fan operating with the low speed. Once the humidity or temperature sensors are triggered or the external switch is operated the fan goes to the high speed.

Do not disturb (the function is available only if 24 hours mode is activated): this mode enables to set a time span for the fan to ignore triggering of sensors or a switch and to keep the fan running with low speed.



SMOOTH SPEED CONTROL

Silent: the fan runs with Silent speed. The speed is controlled over the range from 30 % up 100 % of the maximum air flow.

Max: the fan runs with Max speed. The speed is controlled over the range from 30 % up 100 % of the maximum air flow.



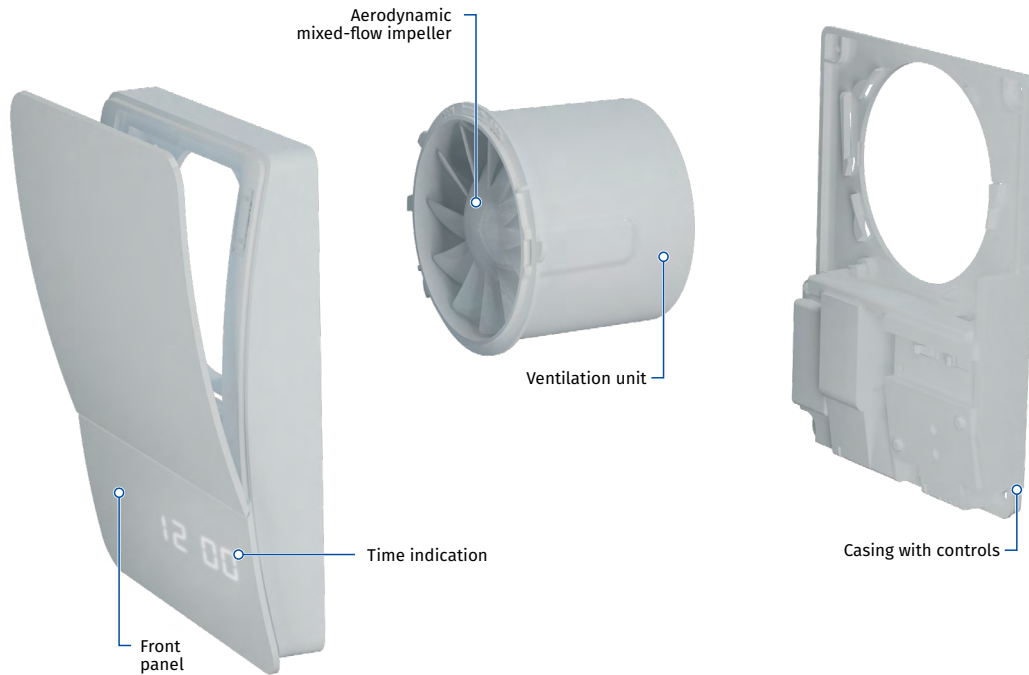
INTERVAL VENTILATION

Automatic interval ventilation (the function is available only if 24 hours mode is deactivated): this mode enables to turn on the function of automatic ventilation each 12 hours for 30 minutes with a set speed in case of a previous standstill of the fan within a day.

CABRIO / CABRIO DESIGN

INTELLIGENT FANS

Unit design



Options



Model	Cabrio 100	Cabrio Design 100
Option		
Timer	•	•
Humidity sensor	•	•
WiFi	•	•
LED lighting		•

o Timer

- Turn-off delay timer set for 5, 15, 30 or 60 min.
- Turn-on delay timer set for 0, 2 or 5 min.
- Interval timer set for 0, 6, 12 or 24 h.

o Humidity sensor

- Humidity set point adjustable from 40 % up to 80 %.

o WiFi

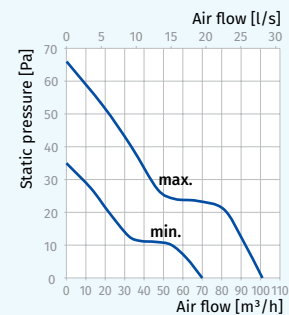
- Mode control via wireless network.

o LED lighting

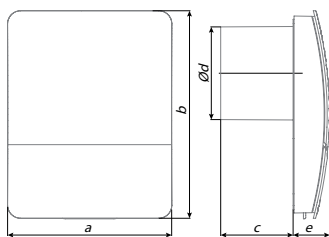
- The colour of lighting can be selected to match the interior design.

Technical data

Model	Cabrio 100 / Cabrio Design 100	
	min.	max.
Speed		
Voltage [V]	220-240	
Frequency [Hz]	50/60	
Rated power [W]	3	5
Current [A]	0.126	0.196
RPM [min ⁻¹]	1850	2650
Air flow [m ³ /h (l/s)]	70 (19)	101 (28)
SFP [W/l/s]	0.15	0.18
Noise level [dBA]	22	27
Weight [kg]	0.55	



Overall dimensions



Dimensions [mm]	a	b	c	ø d	e
Cabrio 100 / Cabrio Design 100	175	221	77	99	39

Designation key

Cabrio	Design	100
Model	LED lighting	Spigot diameter

Accessories

Duct system	Flexible air ducts	Grilles and hoods	Speed controllers	Clamps
BlauPlast	BlauFlex	Decor, GM	CDP-2/5 CDP-2/10 MCD 60/0.3	K, KZ