

# BLAUAIR RV

## FLOOR MOUNTED HEAT RECOVERY UNITS



## FEATURES

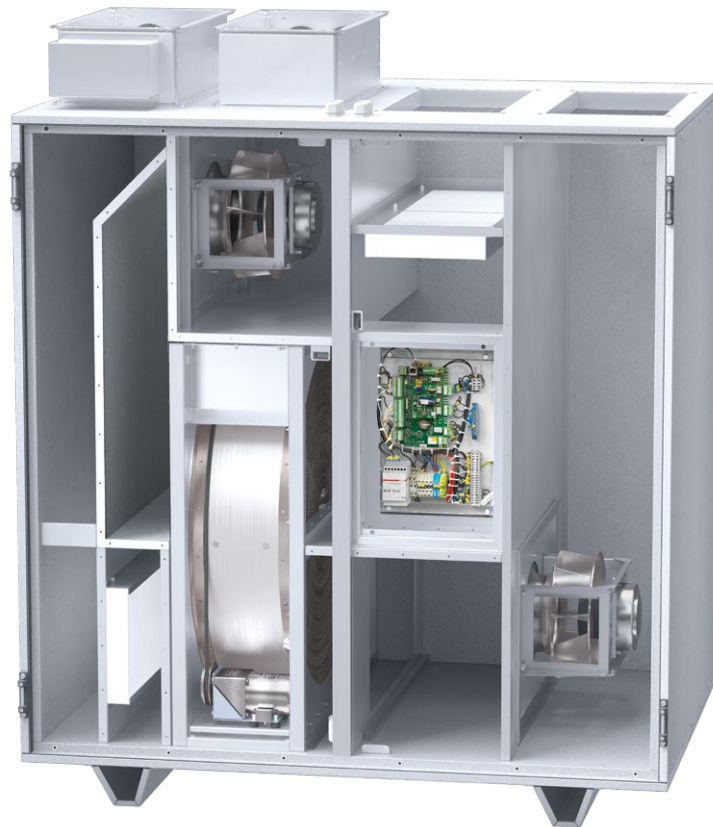
High-efficient EC fans, backward-curved, external rotor. Integrated plug-and-play controls.

Automatic full-size bypass. ECO-Design'18 compliant. Polystyrene plate heat exchanger. Panel filters ePM1 55%. Hinged service doors.

Optional outdoor installation with outdoor mounting kit. Web interface, MODBUS, outputs for optional DX or Hydronic cooling / heating.

Complete set of accessories: silencers, economizers, VAV, CAV, etc.

Operation by RH/CO<sub>2</sub>/temperature/constant pressure/timer schedule.



## Casing

- Double skin
- Frameless
- 40 mm mineral wool 90 kg/m<sup>3</sup> for RV 800-6000
- Outer skin: zinc-aluminum
- Inner skin: zinc-aluminum
- EN1886 class: D1, T3, TB3

## Heat exchanger

High-efficient rotary heat exchanger is available in two types:

- Condensing (aluminum) type – standard;
- Enthalpy type for hot and humid areas – optional.

## Bypass and dampers

Integrated automatic external dampers with **Belimo** drives. Included in units starting from 1500.

**BELIMO**<sup>®</sup>

## Filters

Panel F7 class filters on both supply and exhaust.

## Technical parameters

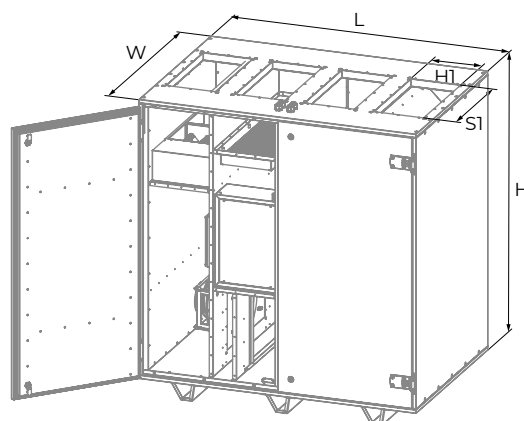
| Rated air flow [m <sup>3</sup> /h]           |                                | 800                                      | 1200       | 1500       |
|--|--------------------------------|--|------------|------------|
| EC fans                                      | Phase/voltage [50/60 Hz/VAC]   | 1~200-240                                |            |            |
|  | Power/current [kW/A]           | 2×0.28/2.5                               | 2×0.61/5.6 | 2×0.61/5.6 |
|  | Fan speed [min <sup>-1</sup> ] | 2800                                     | 3000       | 3000       |
|  | Perm. amb. temp. [°C]          | -35...+50                                |            |            |
|  | Motor protection               | IP54                                     |            |            |
|  | Insulation class               | F  |            |            |
| Filter exhaust/supply                        |                                | ePM1 55%/ePM1 55% (ISO 16890)-F7 (EN779) |            |            |
| Weight (net, without packing) [kg]           |                                | 270                                      | 270        | 307        |
| Housing protection class                     |                                | IP34                                     |            |            |
| Sound pressure lvl @ 3m to environment [dBA] |                                | 34                                       | 35         | 37         |
| Transported air temperature [°C]             |                                | -25...+40                                |            |            |

| Rated air flow [m <sup>3</sup> /h]           |                                | 2500                                     | 3500        |
|--|--------------------------------|--|-------------|
| EC fans                                      | Phase/voltage [50/60 Hz/VAC]   | 1~200/277                                | 3~380/480   |
|  | Power/current [kW/A]           | 2×0.84/7.6                               | 2×1.24/3.95 |
|  | Fan speed [min <sup>-1</sup> ] | 3000                                     | 2400        |
|  | Perm. amb. temp. [°C]          | -35...+50                                |             |
|  | Motor protection               | IP54                                     |             |
|  | Insulation class               | F  |             |
| Filter exhaust/supply                        |                                | ePM1 55%/ePM1 55% (ISO 16890)-F7 (EN779) |             |
| Weight (net, without packing) [kg]           |                                | 307                                      | 405         |
| Housing protection class                     |                                | IP34                                     |             |
| Sound pressure lvl @ 3m to environment [dBA] |                                | 37                                       | 35          |
| Transported air temperature [°C]             |                                | -25...+40                                |             |

| Rated air flow [m <sup>3</sup> /h]           |                                | 5000                                     | 6000       |
|--|--------------------------------|--|------------|
| EC fans                                      | Phase/voltage [50/60 Hz/VAC]   | 3~380/480                                |            |
|  | Power/current [kW/A]           | 2×1.42/4.53                              | 2×2.74/8.8 |
|  | Fan speed [min <sup>-1</sup> ] | 1350                                     | 1700       |
|  | Perm. amb. temp. [°C]          | -35...+50                                |            |
|  | Motor protection               | IP54                                     |            |
|  | Insulation class               | F  |            |
| Filter exhaust/supply                        |                                | ePM1 55%/ePM1 55% (ISO 16890)-F7 (EN779) |            |
| Weight (net, without packing) [kg]           |                                | 715                                      | 715        |
| Housing protection class                     |                                | IP34                                     |            |
| Sound pressure lvl @ 3m to environment [dBA] |                                | 32                                       | 32         |
| Transported air temperature [°C]             |                                | -25...+40                                |            |

## Overall dimensions [mm]

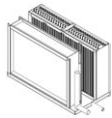
|                | L    | W    | H    | H1    | S1   |
|----------------|------|------|------|-------|------|
| <b>RV 800</b>  | 1140 | 785  | 1250 | Ø 250 | –    |
| <b>RV 1200</b> | 1140 | 785  | 1250 | Ø 250 | –    |
| <b>RV 1500</b> | 1400 | 960  | 1400 | 250   | 500  |
| <b>RV 2500</b> | 1400 | 960  | 1400 | 250   | 500  |
| <b>RV 3500</b> | 1600 | 1290 | 1860 | 300   | 600  |
| <b>RV 5000</b> | 1910 | 1390 | 2090 | 500   | 1000 |
| <b>RV 6000</b> | 1910 | 1390 | 2090 | 500   | 1000 |



## Connectors and adapters

|                        | Size [mm]           |          |                   |
|------------------------|---------------------|----------|-------------------|
|                        | Flexible connection | Damper   | Adapter           |
| <b>RV 800/RV 1200</b>  | Ø 250               | Ø 250    | Ø 250/500×250     |
| <b>RV 1500/RV 2500</b> | 500×250             | 500×250  | 500×250/600×350   |
| <b>RV 3500</b>         | 600×300             | 600×300  | 600×300/600×350   |
| <b>RV 5000/RV 6000</b> | 1000×350            | 1000×350 | 1000×350/1000×500 |

## Additional coil sections for RV 800-6000

|                     |   |              |                 | 800     | 1200    | 1500    | 2500    | 3500    | 5000     | 6000     |
|---------------------|---|--------------|-----------------|---------|---------|---------|---------|---------|----------|----------|
| <b>Water cooler</b> |  | <b>CW-3</b>  | <b>H×W [mm]</b> | 500×250 | 500×250 | 600×350 | 600×350 | 600×350 | 1000×500 | 1000×500 |
| <b>DX cooler</b>    |  | <b>CDX-3</b> | <b>H×W [mm]</b> | 500×250 | 500×250 | 600×350 | 600×350 | 600×350 | 1000×500 | 1000×500 |