

BELIMO TF230 / TF24

Electric actuators



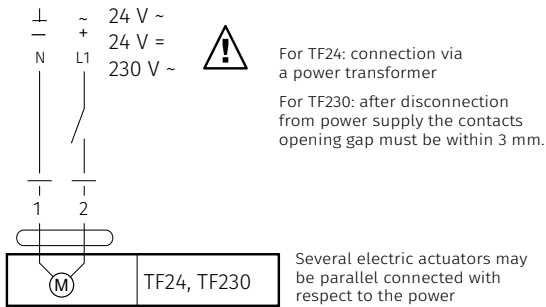
Features

- For controlling air dampers with cross section up to 0.4 m² installed in various ventilation and air conditioning systems and performing protection functions.

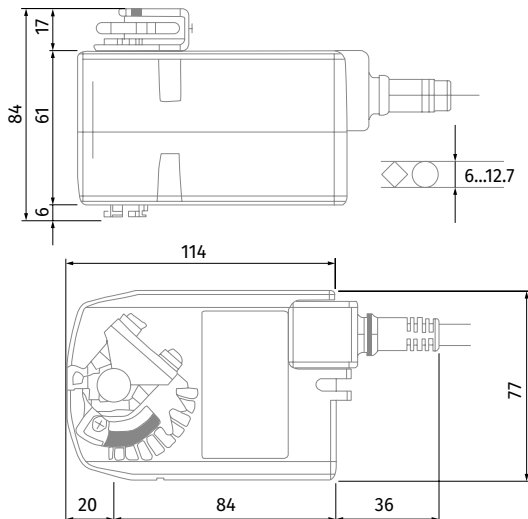
Design

- The electric actuator is provided with a 2 Nm actuating torque and an overload protection.
- The actuator is installed directly on the air damper shaft.
- The actuator is equipped with a return spring, which moves the damper to its operating position while tensioning the return spring at the same time. In case of power supply cut-off, the damper moves back to its safe position by the spring energy.
- The angle of rotation is adjusted by mechanical end stops.

Wiring diagram



Overall dimensions [mm]



Technical data

Parameters	TF24	TF230
Voltage	24 V ~ 50 (60) Hz, 24 V=	230 V ~ 50 (60) Hz
Nominal voltage range [V]	19.2...28.8 ~ 21.6...28.8 V=	85...265 ~
Rated power [VA]	4 (max. I 5.8 A at t = 5 ms)	4 (max. I 150 mA at t = 10 ms)
Power consumption in operation / at rest [W]	2 / 1.3	2 / 1.3
Connecting cable	1 m long, 2 x 0.75 mm ²	
Direction of rotation	determined by L/R positioning	
Torque (motor / spring) [Nm]	2 (at nominal voltage) / 2	
Angle of rotation:	max. 95°, adjustable 37...100 % with a mechanical end stop	
Swing time (motor / spring) [sec]	40...75 (0...2 Nm) / < 25 bei -20...50 °C	
Service life	60 000 switching operations	
Ingress protection rating	IP42	IP42
Electrical protection class	III low voltage II totally insulated	III low voltage II totally insulated
Operation temperature [°C]	-30...+50	-30...+50
Storage temperature [°C]	-40...+80	-40...+80
Ambient humidity	95 %, no condensation	
Noise level (motor/ spring) [dBA]	50 / ≈ 62	50 / ≈ 62
Maintenance	not required	not required
Weight [kg]	0.6	0.6