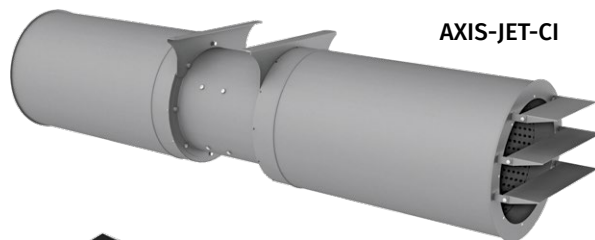


# AXIS-JET

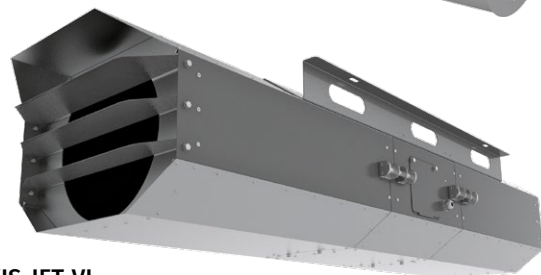
## Jet axial fans

### Use

- The **Axis-Jet** axial fans are designed for general purpose ventilation of underground and semiopened parkings, ventilation of tunnels, smoke extraction in case of fire as a part of smoke extract system. The fans generate a high-speed and high-pressure directed air jet.
- Temperatures of the transported medium: in continuous operation up to +55 °C; in smoke extraction mode: 300 °C/2 hrs and 400 °C/2 hrs
- Functionality. Power. Efficiency.



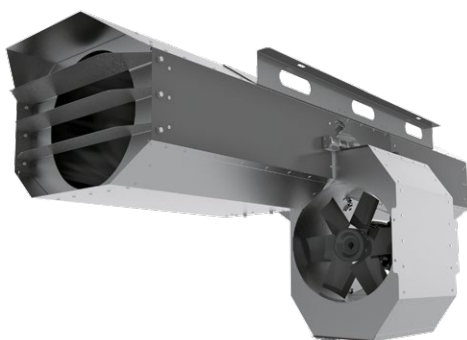
AXIS-JET-CI



AXIS-JET-VI

### Design

- The casing of the **Axis-Jet** fan is made of polymer coated steel. The fans are available in two casing versions: cylindrical and octagonal.
- The casing includes inner brackets for motor fixation. These brackets act as directing vanes and distribute air flow uniformly, thus increasing aerodynamic performances of the fan. The fan has a sound insulation of mineral wool.
- The fan in an octagonal casing **Axis-Jet-VI** has a reduced height, a hinged hatch for electrical installation with captive bolts and a detachable middle part for maintenance.



### Motor

- Three-phase asynchronous short-circuit rotor motor is installed inside the fan casing. Motor ingress protection rating is IP55. The motor design ensures operation of the fan in the smoke extract systems and/or general ventilation systems in unidirectional and reversible modes. The motors are designed for 400 V mains voltage and 60 Hz mains frequency.

### Impeller

- The dynamically balanced impeller is made of cast aluminium alloy (for fans of smoke extraction systems) or of glass-fiber reinforced polyamide (for fans of general industrial use).
- The reversible fans are equipped with 100 % reversible two-directional impeller.

### Mounting

- The **Axis-Jet** fans are designed for horizontal ceiling mounting and fixation by means of the supplied fixing brackets attached to the fan casing.

### Modifications

- Unidirectional single-speed type (U)
- Unidirectional double-speed type (U)
- Reversible single-speed (R)
- Reversible double-speed (R)

The fans with the fire resistance rating 200 °C/2 hrs can be manufactured on special request.

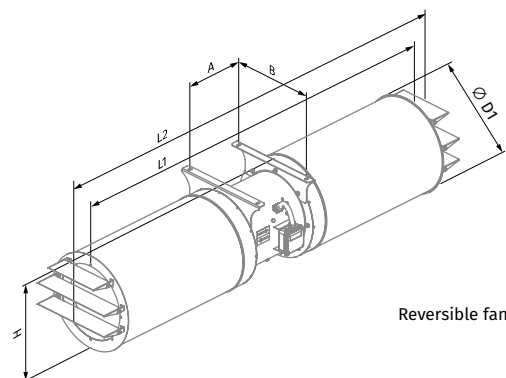
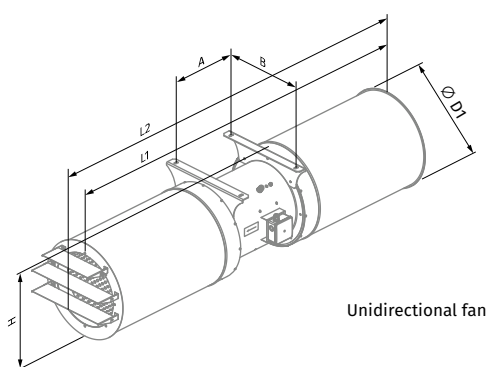
### Designation key

Model	Casing type	Casing insulation	Diameter [mm]	Motor	Number of poles	Air flow	Fire resistance limit/hrs	Frequency
<b>AXIS-JET:</b> jet axial fan	- <b>C:</b> round <b>V:</b> octagonal	_: without sound-insulation <b>I:</b> sound-insulated casing	- <b>315; 355; 400; 450; 500; 560; 630</b>	_: standard motor <b>M, S:</b> model with a high-power motor	- <b>2</b> <b>2/4</b> (applicable for double-speed motors)	- <b>U:</b> unidirectional <b>R:</b> reversible	- _: max. +55 °C <b>300/2:</b> 300 °C/2 h <b>400/2:</b> 400 °C/2 h	- _: 50 Hz <b>60 Hz:</b> 60 Hz

## Overall dimensions [mm]

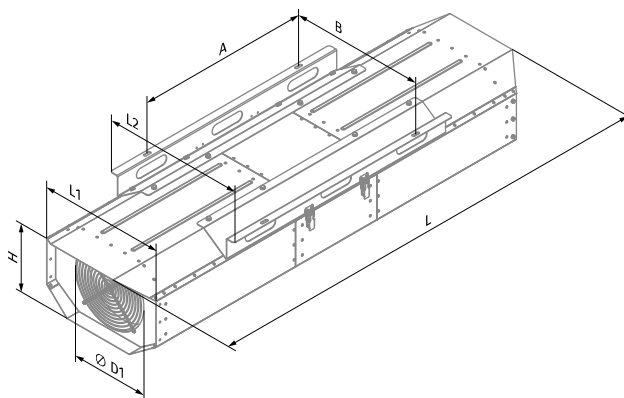
### AXIS-JET-CI

Model	Ø D1	A	B	H	L1	L2	Weight [kg]
<b>Unidirectional</b>							
Axis-Jet-CI-315-U	414	302	355	425	1654	1763	40
Axis-Jet-CI-355-U	467	302	420	482	1954	2079	50
Axis-Jet-CI-400-U	515	351	460	525	2004	2129	65
Axis-Jet-CI-450-U	565	351	500	575	2004	2129	85
Axis-Jet-CI-500-U	603	371	580	620	2004	2145	110
Axis-Jet-CI-560-U	663	446	620	678	2093	2247	155
Axis-Jet-CI-630-U	733	550	710	748	2193	2357	245
<b>Reversible</b>							
Axis-Jet-CI-315-R	414	302	355	425	1654	1872	40
Axis-Jet-CI-355-R	467	302	420	482	1954	2202	50
Axis-Jet-CI-400-R	515	351	460	525	2004	2253	65
Axis-Jet-CI-450-R	565	351	500	575	2004	2253	85
Axis-Jet-CI-500-R	603	371	580	620	2004	2290	110
Axis-Jet-CI-560-R	663	446	620	678	2093	2400	155
Axis-Jet-CI-630-R	733	550	710	748	2193	2520	245



### AXIS-JET-VI

Model	Ø D1	A	B	H	L	L1	L2	Weight [kg]
<b>Unidirectional</b>								
Axis-Jet-VI-315-U	315	700	542	347	1846	507	572	58
Axis-Jet-VI-355-U	355	700	583	388	2046	546	613	75
Axis-Jet-VI-400-U	400	750	632	434	2296	590	667	95
<b>Reversible</b>								
Axis-Jet-VI-315-R	315	700	542	347	1846	507	572	58
Axis-Jet-VI-355-R	355	700	583	388	2046	546	613	75
Axis-Jet-VI-400-R	400	750	632	434	2296	590	667	95



## Technical data

### AXIS-JET-CI

∅ [mm]	Air flow direction	Number of speeds	Model	Power [kW]	Max. air flow [m³/h]	Fan pull [N]	Air speed [m/s]	RPM	Operating temperature [°C]	Sound pressure LpA, dB in 3 m
315	Unidirectional	1	Axis-Jet-CI-315-2-U-60 Hz	0.55	4110	22	15.6	3460	55 °C	70.3
			Axis-Jet-CI-315-2-U-300/2-60 Hz		3090	13	11.7		300 °C/2 h*	
			Axis-Jet-CI-315-2-U-400/2-60 Hz						400 °C/2 h*	
		Axis-Jet-CI-315M-2-U-60 Hz	0.75	4770				29	18.1	55 °C
		Axis-Jet-CI-315M-2-U-300/2-60 Hz		3500	16	13.3	300 °C/2 h*	66.1		
		Axis-Jet-CI-315M-2-U-400/2-60 Hz					400 °C/2 h*	66.3		
	Axis-Jet-CI-315-2/4-U-60 Hz	0.55/0.11	4110/2055				22/6	15.6/7.8	55 °C	
	Axis-Jet-CI-315-2/4-U-300/2-60 Hz		3090/1545	13/4	11.7/5.85	300 °C/2 h*	70.3/55.2			
	Axis-Jet-CI-315-2/4-U-400/2-60 Hz					400 °C/2 h*	66/50.9			
	Axis-Jet-CI-315M-2/4-U-60 Hz	0.8/0.2				4770/2385	29/8	18.1/9	55 °C	
	Axis-Jet-CI-315M-2/4-U-300/2-60 Hz		3500/1750	16/4	13.3/6.65	300 °C/2 h*	66.1/51			
	Axis-Jet-CI-315M-2/4-U-400/2-60 Hz					400 °C/2 h*	66.3/51.2			
	Axis-Jet-CI-315-2-R-60 Hz	0.55				4010	21	15.2	55 °C	
	Axis-Jet-CI-315-2-R-300/2-60 Hz		3460	11	11.2	300 °C/2 h*	69.1			
	Axis-Jet-CI-315-2-R-400/2-60 Hz					400 °C/2 h*	69.3			
Axis-Jet-CI-315-2/4-R-60 Hz	0.55/0.11	4010/2005				21/6	15.2/7.6	55 °C		
Axis-Jet-CI-315-2/4-R-300/2-60 Hz		3460/1730	11/3	11.2/5.6	300 °C/2 h*	69.1/54				
Axis-Jet-CI-315-2/4-R-400/2-60 Hz					400 °C/2 h*	69.3/54.2				
355	Unidirectional				1	Axis-Jet-CI-355-2-U-60 Hz	0.75	5930	35	17.6
		Axis-Jet-CI-355-2-U-300/2-60 Hz	4350	19		12.9		300 °C/2 h*		
		Axis-Jet-CI-355-2-U-400/2-60 Hz						400 °C/2 h*	66.4	
		Axis-Jet-CI-355M-2-U-60 Hz			1.1		6560	43	19.5	55 °C
		Axis-Jet-CI-355M-2-U-300/2-60 Hz	5170	27		15.4	300 °C/2 h*	67.1		
		Axis-Jet-CI-355M-2-U-400/2-60 Hz					400 °C/2 h*	68		
	Axis-Jet-CI-355-2/4-U-60 Hz	0.8/0.2			5930/2965		35/9	17.6/8.8	55 °C	
	Axis-Jet-CI-355-2/4-U-300/2-60 Hz		4350/2175	19/5	12.9/6.45	300 °C/2 h*	65.3/50.2			
	Axis-Jet-CI-355-2/4-U-400/2-60 Hz					400 °C/2 h*	66.4/51.2			
	Axis-Jet-CI-355M-2/4-U-60 Hz	1.1/0.25				6560/3280	43/11	19.5/9.75	55 °C	
	Axis-Jet-CI-355M-2/4-U-300/2-60 Hz		5170/2585	27/7	15.4/7.7	300 °C/2 h*	67.1/52.1			
	Axis-Jet-CI-355M-2/4-U-400/2-60 Hz					400 °C/2 h*	68/53			
	Axis-Jet-CI-355-2-R-60 Hz	1.1				5550	31	16.5	55 °C	
	Axis-Jet-CI-355-2-R-300/2-60 Hz		3460	18	12.4	300 °C/2 h*	71.5			
	Axis-Jet-CI-355-2-R-400/2-60 Hz					400 °C/2 h*	71.8			
Axis-Jet-CI-355-2/4-R-60 Hz	1.1/0.25	5550/2775				31/8	16.5/8.25	55 °C		
Axis-Jet-CI-355-2/4-R-300/2-60 Hz		3460/1730	18/5	12.4/6.2	300 °C/2 h*	71.5/56.5				
Axis-Jet-CI-355-2/4-R-400/2-60 Hz					400 °C/2 h*	71.8/56.8				
400	Unidirectional				1	Axis-Jet-CI-400-2-U-60 Hz	1.1	7810	48	18.3
		Axis-Jet-CI-400-2-U-300/2-60 Hz	7080	40		16.6		300 °C/2 h*		
		Axis-Jet-CI-400-2-U-400/2-60 Hz						400 °C/2 h*	67.6	
		Axis-Jet-CI-400M-2-U-60 Hz			2.2		9570	72	22.5	55 °C
		Axis-Jet-CI-400M-2-U-300/2-60 Hz	9320	69		21.9	300 °C/2 h*	70.9		
		Axis-Jet-CI-400M-2-U-400/2-60 Hz					400 °C/2 h*	69.5		
	Axis-Jet-CI-400-2/4-U-60 Hz	1.1/0.25			7810/3905		48/12	18.3/9.15	55 °C	
	Axis-Jet-CI-400-2/4-U-300/2-60 Hz		7080/3540	40/10	16.6/8.3	300 °C/2 h*	70.8/55.7			
	Axis-Jet-CI-400-2/4-U-400/2-60 Hz					400 °C/2 h*	67.6/54			
	Axis-Jet-CI-400M-2/4-U-60 Hz	2.2/0.5				9570/4785	72/18	22.5/11.25	55 °C	
	Axis-Jet-CI-400M-2/4-U-300/2-60 Hz		9320/4660	69/18	21.9/10.95	300 °C/2 h*	70.9/55.9			
	Axis-Jet-CI-400M-2/4-U-400/2-60 Hz					400 °C/2 h*	69.5/54.4			
	Axis-Jet-CI-400-2-R-60 Hz	1.5				8040	51	18.9	55 °C	
	Axis-Jet-CI-400-2-R-300/2-60 Hz		3460	39	16.5	300 °C/2 h*	73.9			
	Axis-Jet-CI-400-2-R-400/2-60 Hz					400 °C/2 h*	71.7			
Axis-Jet-CI-400-2/4-R-60 Hz	1.5/0.37	8040/4020				51/13	18.9/9.45	55 °C		
Axis-Jet-CI-400-2/4-R-300/2-60 Hz		3460/1730	39/10	16.5/8.25	300 °C/2 h*	73.9/58.9				
Axis-Jet-CI-400-2/4-R-400/2-60 Hz					400 °C/2 h*	71.7/56.1				

\*Smoke extraction mode: once for two hours

## AXIS-JET-CI

Ø [mm]	Air flow direction	Number of speeds	Model	Power [kW]	Max. air flow [m³/h]	Fan pull [N]	Air speed [m/s]	RPM	Operating temperature [°C]	Sound pressure LpA, dB in 3 m	
450	Unidirectional	1	Axis-Jet-CI-450-2-U-60 Hz	1.5	10500	69	19.5	3460	55 °C	72.1	
			Axis-Jet-CI-450-2-U-300/2-60 Hz						300 °C/2 h*		
			Axis-Jet-CI-450-2-U-450/2-60 Hz						400 °C/2 h*		
		1	Axis-Jet-CI-450M-2-U-60 Hz	2.2	12500	97	23.2	3460	55 °C	71.2	
			Axis-Jet-CI-450M-2-U-300/2-60 Hz						300 °C/2 h*		
			Axis-Jet-CI-450M-2-U-400/2-60 Hz						400 °C/2 h*		
		1	Axis-Jet-CI-450S-2-U-60 Hz	3	13300	110	24.6	3460	55 °C	74.3	
			Axis-Jet-CI-450S-2-U-300/2-60 Hz						300 °C/2 h*		
			Axis-Jet-CI-450S-2-U-400/2-60 Hz						400 °C/2 h*		
		2	1.5/0.37	Axis-Jet-CI-450-2/4-U-60 Hz	1.5/0.37	10500/5250	69/18	19.5/9.75	3460/1730	55 °C	72.1/57
				Axis-Jet-CI-450-2/4-U-300/2-60 Hz						300 °C/2 h*	
				Axis-Jet-CI-450-2/4-U-400/2-60 Hz						400 °C/2 h*	
	2.2/0.5		Axis-Jet-CI-450M-2/4-U-60 Hz	2.2/0.5	12500/6250	97/25	23.2/11.6	3460/1730	55 °C	71.2/56.2	
			Axis-Jet-CI-450M-2/4-U-300/2-60 Hz						300 °C/2 h*		
			Axis-Jet-CI-450M-2/4-U-400/2-60 Hz						400 °C/2 h*		
	3.1/0.8	Axis-Jet-CI-450S-2/4-U-60 Hz	3.1/0.8	13300/6650	110/28	24.6/12.3	3460/1730	55 °C	74.3/59.2		
		Axis-Jet-CI-450S-2/4-U-300/2-60 Hz						300 °C/2 h*			
		Axis-Jet-CI-450S-2/4-U-400/2-60 Hz						400 °C/2 h*			
	Reversible	1	1.5	Axis-Jet-CI-450-2-R-60 Hz	1.5	9110	52	16.9	3460	55 °C	79.8
				Axis-Jet-CI-450-2-R-300/2-60 Hz						300 °C/2 h*	
				Axis-Jet-CI-450-2-R-450/2-60 Hz						400 °C/2 h*	
			2.2	Axis-Jet-CI-450M-2-R-60 Hz	2.2	11100	77	20.6	3460	55 °C	77.3
				Axis-Jet-CI-450M-2-R-300/2-60 Hz						300 °C/2 h*	
				Axis-Jet-CI-450M-2-R-400/2-60 Hz						400 °C/2 h*	
2		3	12500	97	23.1	3460	55 °C	75.9			
							Axis-Jet-CI-450S-2-R-300/2-60 Hz		300 °C/2 h*		
							Axis-Jet-CI-450S-2-R-400/2-60 Hz		400 °C/2 h*		
		1.5/0.37	Axis-Jet-CI-450-2/4-R-60 Hz	1.5/0.37	9110/4555	52/13	16.9/8.45	3460/1730	55 °C	79.8/64.7	
			Axis-Jet-CI-450-2/4-R-300/2-60 Hz						300 °C/2 h*		
			Axis-Jet-CI-450-2/4-R-400/2-60 Hz						400 °C/2 h*		
2.2/0.5	Axis-Jet-CI-450M-2/4-R-60 Hz	2.2/0.5	11100/5550	77/20	20.6/10.3	3460/1730	55 °C	77.3/62.3			
	Axis-Jet-CI-450M-2/4-R-300/2-60 Hz						300 °C/2 h*				
	Axis-Jet-CI-450M-2/4-R-400/2-60 Hz						400 °C/2 h*				
3.1/0.8	Axis-Jet-CI-450S-2/4-R-60 Hz	3.1/0.8	12500/6250	97/25	23.1/11.55	3460/1730	55 °C	75.9/60.9			
	Axis-Jet-CI-450S-2/4-R-300/2-60 Hz						300 °C/2 h*				
	Axis-Jet-CI-450S-2/4-R-400/2-60 Hz						400 °C/2 h*				
500	Unidirectional	3.1/0.8	Axis-Jet-CI-500-2/4-U-60 Hz	3.1/0.8	14100/7030	100/25	21.1/10.5	3460/1730	55 °C	78.2/63.1	
			Axis-Jet-CI-500-2/4-U-300/2-60 Hz						300 °C/2 h*		
			Axis-Jet-CI-500-2/4-U-400/2-60 Hz						400 °C/2 h*		
		4.4/1.1	Axis-Jet-CI-500M-2/4-U-60 Hz	4.4/1.1	17300/8630	149/38	25.8/12.9	3460/1730	55 °C	76.8/61.8	
			Axis-Jet-CI-500M-2/4-U-300/2-60 Hz						300 °C/2 h*		
			Axis-Jet-CI-500M-2/4-U-400/2-60 Hz						400 °C/2 h*		
	Reversible	3.1/0.8	14900/7460	111/28	22.3/11.2	3460/1730	55 °C	77/61.9			
							Axis-Jet-CI-500-2/4-R-60 Hz		300 °C/2 h*		
							Axis-Jet-CI-500-2/4-R-300/2-60 Hz		400 °C/2 h*		
		4.4/1.1	Axis-Jet-CI-500-2/4-R-400/2-60 Hz	4.4/1.1	16400/8160	134/34	24.5/12.3	3460/1730	55 °C	78.6/63.5	
			Axis-Jet-CI-500M-2/4-R-60 Hz						300 °C/2 h*		
			Axis-Jet-CI-500M-2/4-R-300/2-60 Hz						400 °C/2 h*		
560	Unidirectional	4.4/1.1	Axis-Jet-CI-560-2/4-U-60 Hz	4.4/1.1	19600/9790	157/40	23.9/12	3460/1730	55 °C	76.8/61.8	
			Axis-Jet-CI-560-2/4-U-300/2-60 Hz						300 °C/2 h*		
			Axis-Jet-CI-560-2/4-U-400/2-60 Hz						400 °C/2 h*		
	2	8/2	24500/12300	245/62	30/15	3530/1765	55 °C	78.4/63.4			
							Axis-Jet-CI-560M-2/4-U-60 Hz		300 °C/2 h*		
							Axis-Jet-CI-560M-2/4-U-300/2-60 Hz		400 °C/2 h*		
Reversible	4.4/1.1	18100/9030	134/34	22.1/11	3460/1730	55 °C	82.4/67.3				
						Axis-Jet-CI-560-2/4-R-60 Hz		300 °C/2 h*			
						Axis-Jet-CI-560-2/4-R-300/2-60 Hz		400 °C/2 h*			
	6/1.5	20600/10300	174/44	25.2/12.6	3530/1765	55 °C	81.4/66.4				
						Axis-Jet-CI-560-2/4-R-400/2-60 Hz		300 °C/2 h*			
						Axis-Jet-CI-560M-2/4-R-60 Hz		400 °C/2 h*			
6/1.5	18500/9250	140/35	22.7/11.3	3530/1765	55 °C	81.1/66.1					
					Axis-Jet-CI-560M-2/4-R-300/2-60 Hz		300 °C/2 h*				
					Axis-Jet-CI-560M-2/4-R-400/2-60 Hz		400 °C/2 h*				

\*Smoke extraction mode: once for two hours

## AXIS-JET-CI

∅ [mm]	Air flow direction	Number of speeds	Model	Power [kW]	Max. air flow [m³/h]	Fan pull [N]	Air speed [m/s]	RPM	Operating temperature [°C]	Sound pressure LpA, dB in 3 m			
630	Unidirectional	2	Axis-Jet-CI-630-2/4-U-60 Hz	12/3	31700/15800	324/81	30.6/15.3	3530/1765	55 °C	83.2/68.2			
			Axis-Jet-CI-630-2/4-U-300/2-60 Hz						30600/15300	301/75	29.5/14.7	300 °C/2 h*	81.6/66.6
			Axis-Jet-CI-630-2/4-U-400/2-60 Hz						36500/18200	429/107	35.2/17.6	400 °C/2 h*	82.7/67.6
			Axis-Jet-CI-630M-2/4-U-60 Hz	16/4	35000/17500	395/99	33.8/16.9					300 °C/2 h*	81.1/66
			Axis-Jet-CI-630M-2/4-U-300/2-60 Hz						400 °C/2 h*				
	Reversible	Axis-Jet-CI-630-2/4-R-60 Hz	12/3	30600/15300	302/76	29.6/14.8	55 °C	85.7/70.6					
		Axis-Jet-CI-630-2/4-R-300/2-60 Hz					29400/14700	279/70	28.4/14.2	300 °C/2 h*	84.1/69		
		Axis-Jet-CI-630-2/4-R-400/2-60 Hz					32400/16200	339/85	31.3/15.7	400 °C/2 h*	86.4/71.4		
		Axis-Jet-CI-630M-2/4-R-60 Hz	16/4	30800/15400	305/76	29.7/14.8				55 °C	85.7/70.6		
		Axis-Jet-CI-630M-2/4-R-300/2-60 Hz					300 °C/2 h*						
Axis-Jet-CI-630M-2/4-R-400/2-60 Hz	400 °C/2 h*												

\*Smoke extraction mode: once for two hours

## AXIS-JET-VI

Ø [mm]	Air flow direction	Number of speeds	Model	Power [kW]	Max. air flow [m³/h]	Fan pull [N]	Air speed [m/s]	RPM	Operating temperature [°C]	Sound pressure LpA, dB in 3 m
315	Unidirectional	1	Axis-Jet-VI-315-2-U-60 Hz	0.55	4110	22	15.6	3460	55 °C	70.3
			Axis-Jet-VI-315-2-U-300/2-60 Hz		3090	13	11.7		300 °C/2 h*	
			Axis-Jet-VI-315-2-U-400/2-60 Hz		3090	13	11.7		400 °C/2 h*	
		2	0.75	Axis-Jet-VI-315M-2-U-60 Hz	4770	29	18.1	55 °C	66.1	
				Axis-Jet-VI-315M-2-U-300/2-60 Hz	3500	16	13.3	300 °C/2 h*	66.3	
				Axis-Jet-VI-315-2/4-U-60 Hz	4110/2055	22/6	15.6/7.8	55 °C	70.3/55.2	
	0.55/0.11		Axis-Jet-VI-315-2/4-U-300/2-60 Hz	3090/1545	13/4	11.7/5.85	300 °C/2 h*	66/50.9		
			Axis-Jet-VI-315M-2/4-U-60 Hz	4770/2385	29/8	18.1/9	55 °C	66.1/51		
			Axis-Jet-VI-315M-2/4-U-300/2-60 Hz	3500/1750	16/4	13.3/6.65	300 °C/2 h*	66.3/51.2		
	Reversible	1	Axis-Jet-VI-315-2-R-60 Hz	0.55	4010	21	15.2	3460	55 °C	69.1
			Axis-Jet-VI-315-2-R-300/2-60 Hz		2940	11	11.2		300 °C/2 h*	
			Axis-Jet-VI-315-2-R-400/2-60 Hz		2940	11	11.2		400 °C/2 h*	
		2	0.55/0.11	Axis-Jet-VI-315-2/4-R-60 Hz	4010/2005	21/6	15.2/7.6	55 °C	69.1/54	
				Axis-Jet-VI-315-2/4-R-300/2-60 Hz	2940/1470	11/3	11.2/5.6	300 °C/2 h*	69.3/54.2	
				Axis-Jet-VI-315-2/4-R-400/2-60 Hz	2940/1470	11/3	11.2/5.6	400 °C/2 h*	69.3/54.2	
355	Unidirectional	1	Axis-Jet-VI-355-2-U-60 Hz	0.75	5930	35	17.6	3460	55 °C	65.3
			Axis-Jet-VI-355-2-U-300/2-60 Hz		4350	19	12.9		300 °C/2 h*	
			Axis-Jet-VI-355-2-U-400/2-60 Hz		4350	19	12.9		400 °C/2 h*	
		2	1.1	Axis-Jet-VI-355M-2-U-60 Hz	6560	43	19.5	55 °C	67.1	
				Axis-Jet-VI-355M-2-U-300/2-60 Hz	5170	27	15.4	300 °C/2 h*	68	
				Axis-Jet-VI-355-2/4-U-60 Hz	5930/2965	35/9	17.6/8.8	400 °C/2 h*	65.3/50.2	
	0.8/0.2		Axis-Jet-VI-355-2/4-U-300/2-60 Hz	4350/2175	19/5	12.9/6.45	55 °C	66.4/51.2		
			Axis-Jet-VI-355M-2/4-U-60 Hz	6560/3280	43/11	19.5/9.75	300 °C/2 h*	67.1/52.1		
			Axis-Jet-VI-355M-2/4-U-400/2-60 Hz	5170/2585	27/7	15.4/7.7	400 °C/2 h*	68/53		
	Reversible	1	Axis-Jet-VI-355-2-R-60 Hz	1.1	5550	31	16.5	3460	55 °C	71.5
			Axis-Jet-VI-355-2-R-300/2-60 Hz		4170	18	12.4		300 °C/2 h*	
			Axis-Jet-VI-355-2-R-400/2-60 Hz		4170	18	12.4		400 °C/2 h*	
		2	1.1/0.25	Axis-Jet-VI-355-2/4-R-60 Hz	5550/2775	31/8	16.5/8.25	55 °C	71.5/56.5	
				Axis-Jet-VI-355-2/4-R-300/2-60 Hz	4170/2085	18/5	12.4/6.2	300 °C/2 h*	71.8/56.8	
				Axis-Jet-VI-355-2/4-R-400/2-60 Hz	4170/2085	18/5	12.4/6.2	400 °C/2 h*	71.8/56.8	
400	Unidirectional	1	Axis-Jet-VI-400-2-U-60 Hz	1.1	7810	48	18.3	3460	55 °C	70.8
			Axis-Jet-VI-400-2-U-300/2-60 Hz		7080	40	16.6		300 °C/2 h*	
			Axis-Jet-VI-400-2-U-400/2-60 Hz		7080	40	16.6		400 °C/2 h*	
		2	2.2	Axis-Jet-VI-400M-2-U-60 Hz	9570	72	22.5	55 °C	70.9	
				Axis-Jet-VI-400M-2-U-300/2-60 Hz	9320	69	21.9	300 °C/2 h*	69.5	
				Axis-Jet-VI-400M-2-U-400/2-60 Hz	9320	69	21.9	400 °C/2 h*	69.5	
	1.1/0.25		Axis-Jet-VI-400-2/4-U-60 Hz	7810/3905	48/12	18.3/9.15	55 °C	70.8/55.7		
			Axis-Jet-VI-400-2/4-U-300/2-60 Hz	7080/3540	40/10	16.6/8.3	300 °C/2 h*	70.8/55.7		
			Axis-Jet-VI-400-2/4-U-400/2-60 Hz	7080/3540	40/10	16.6/8.3	400 °C/2 h*	67.6/54		
	Reversible	1	Axis-Jet-VI-400M-2/4-U-60 Hz	2.2/0.5	9570/4785	72/18	22.5/11.25	55 °C	70.9/55.9	
			Axis-Jet-VI-400M-2/4-U-300/2-60 Hz		9320/4660	69/18	21.9/10.95	300 °C/2 h*	69.5/54.4	
			Axis-Jet-VI-400M-2/4-U-400/2-60 Hz		9320/4660	69/18	21.9/10.95	400 °C/2 h*	69.5/54.4	
		2	1.5	Axis-Jet-VI-400-2-R-60 Hz	8040	51	18.9	55 °C	73.9	
				Axis-Jet-VI-400-2-R-300/2-60 Hz	7040	39	16.5	300 °C/2 h*	71.7	
				Axis-Jet-VI-400-2-R-400/2-60 Hz	7040	39	16.5	400 °C/2 h*	71.7	
2	1.5/0.37	Axis-Jet-VI-400-2/4-R-60 Hz	8040/4020	51/13	18.9/9.45	55 °C	73.9/58.9			
		Axis-Jet-VI-400-2/4-R-300/2-60 Hz	7040/3520	39/10	16.5/8.25	300 °C/2 h*	71.7/56.1			
		Axis-Jet-VI-400-2/4-R-400/2-60 Hz	7040/3520	39/10	16.5/8.25	400 °C/2 h*	71.7/56.1			

\*Smoke extraction mode: once for two hours